

T-AL200 AND T-AL400

Aluminum Heat Transfer Tape



SPECIFICATIONS

Elongation:	5%
Thickness:	.002" (.05mm)
Width:	T-AL200 2" (5cm) T-AL400 4" (10cm)
Tensile Strength:	28 LBS/Inch
Length:	150' (46m) with release liner
Temperature Rating:	-35°F to 300°F (-37°C to 149°C)
Minimum Application Temperature:	-25°F (-31°C)

DESCRIPTION

Delta-Therm aluminum heat transfer tape comes with an acrylic-based adhesive backing for securing heating cable to tanks or pipes. Recommended for use on plastic and/or metal pipe to improve heat transfer.

NOTES FOR TRACED PLASTIC PIPES

Aluminum heat transfer tape must be used on plastic pipe to partially offset the poor heat transfer characteristics of plastic.

Install the aluminum heat transfer tape directly to the pipe in the same direction as the heating cable. Install cable over the tape.

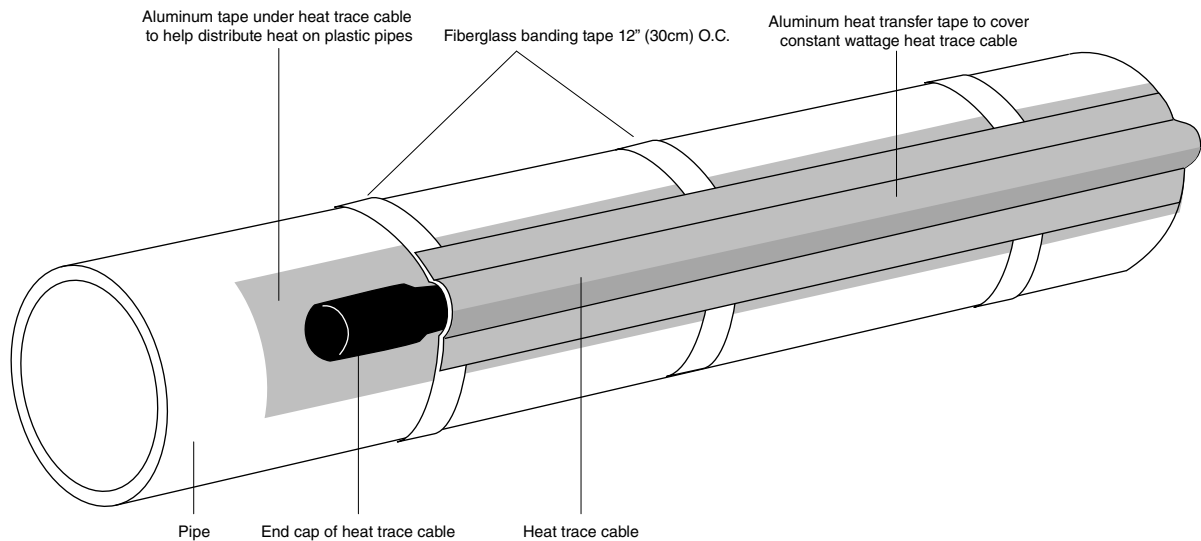
NOTES FOR TRACED METAL PIPES

Strap cable to pipe every 12" (30cm). Apply tape over cable in the same direction so that the heater cable is centered within the tape.

For applications with Power Trace constant watt cables, apply the T-AL200 over the cable. Refer to Detail 1 on back.

INSTALLING THE ALUMINUM HEAT TRANSFER TAPE

1. On plastic pipes run the aluminum heat transfer tape along the length of the pipe.
2. Place the heat trace cable on top of the aluminum tape.
3. Hold the heat trace cable in place with fiberglass banding tape. Place tape every 12" (30cm) on center.
4. On constant wattage heat trace cables install an additional layer of aluminum heat transfer tape over the cable.



Detail 1. Install aluminum heat transfer tape and cable on pipe.

TECHNICAL SUPPORT

A full set of installation instructions is included with order.
Please call 1-800-526-7887 with any questions.