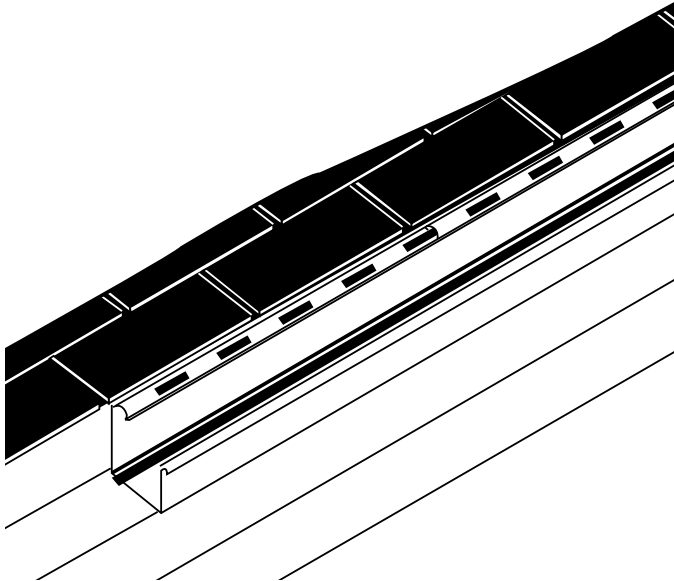


Installation Instructions

ICE MELT PANEL (IMP) ▲



DESCRIPTION

The Ice Melt Panel is an aluminum flashing designed to be used as a heat conductive plate to aid in keeping snow and ice from roof edges. The system is for use only with Self-Regulating heating cables certified for use in roof and gutter applications.

The Ice Melt Panel is designed to be applied between the roofing and the roof substrate. It can be used with various roofing products such as asphalt shingles, aluminum, steel and even slate.

The Ice Melt Panel can be fastened using various methods including screws or adhesives depending on application and building materials.

The designer or installer should contact local building authorities and related authorities such as the electrical inspection department for final inspection approval.

For technical support call Delta-Therm a division of Christopher MacLean Ltd. at (800) 526-7887.

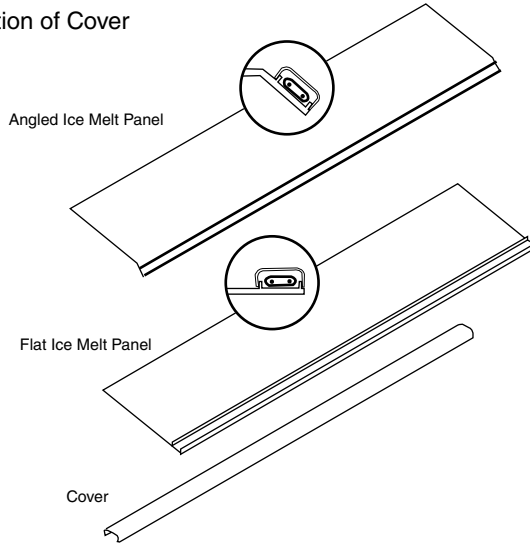
WARNING:

FIRE and SHOCK HAZARD

- Do not use this product with constant wattage heating cable.
- The use of this product and its compatibility with various heating cable supplier is at the sole discretion of the system designer or installer.
- Any material that has been cut must be deburred so there are no sharp edges.
- Contact heating cable manufacturers for compatibility approval.
- Any heating cables used must be CSA and UL Certified.
- Follow heating cable manufacturer's instructions for installation of roof and gutter de-icing systems.
- When using heating cables other than Heat-Line's follow that manufacturer's installation instructions.

KIT CONTENTS:

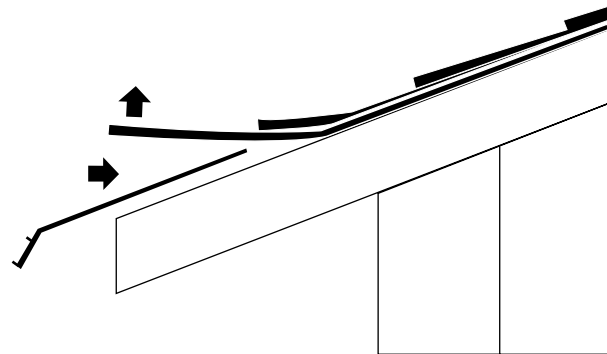
- | Qty | Description |
|-----|---|
| 1 | 4' section of Ice Melt Panel (angled or flat) |
| 1 | 4' Section of Cover |



STEP 1

IMPORTANT: The Ice Melt Panel can be cut to suit your specific situation. After cutting, Ice Melt Panel and covers must be deburred so no sharp edges remain.

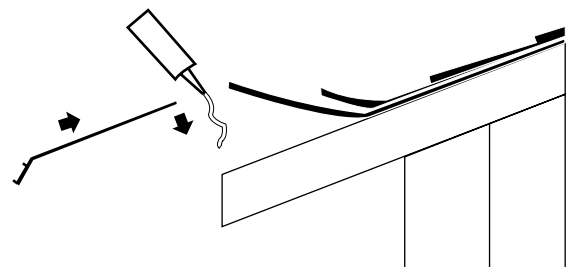
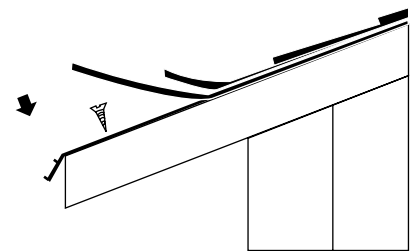
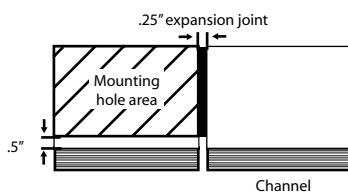
- Carefully peel back roofing material, exposing the roof substrate to accommodate the Ice Melt Panel.



STEP 2

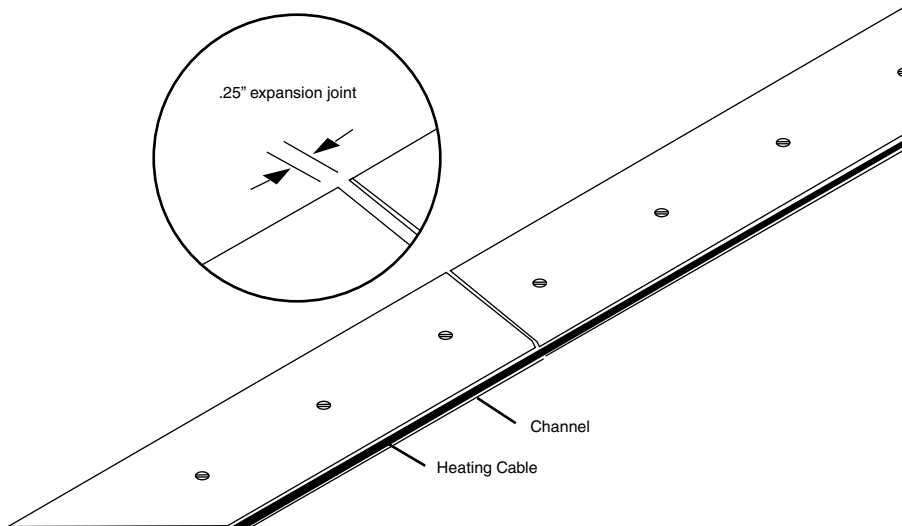
- Using screws or flexible adhesives, attach the Ice Melt Panel to the roof substrate. Mounting holes may be installed anywhere in the hatched area in the illustration below. Note a minimum of .5" from the bend in the aluminum must not be used for attachment.

IMPORTANT: Allow .25" spacing between flashings to allow for expansion and contraction of the aluminum.



STEP 3

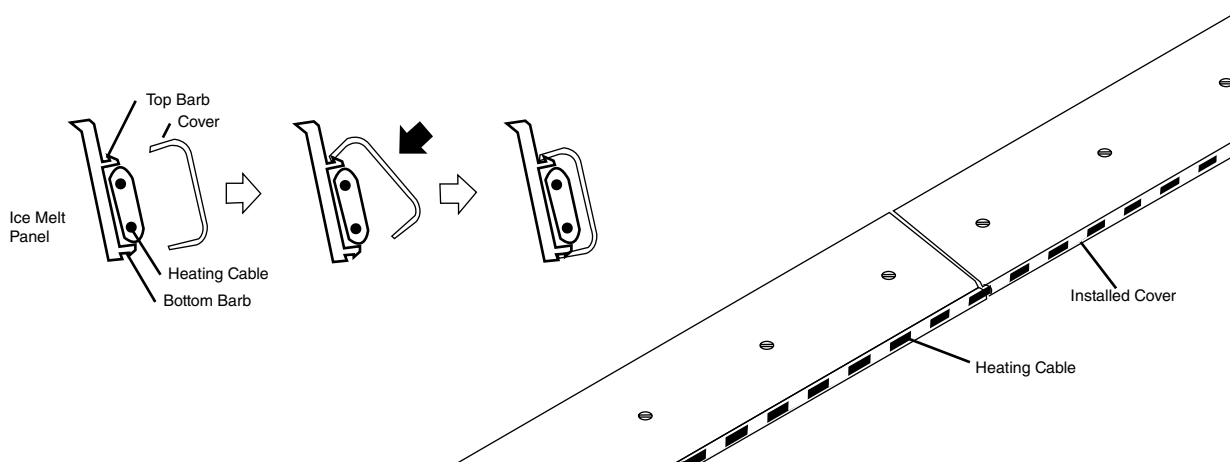
- Lay heating cable in the channel.



STEP 4

Installing the cover assembly

- Make sure there is no debris in the barbed areas. Use a brush or toothbrush to remove any debris. Even the smallest stone or grain of sand must be removed as it is a very fine barb.
- Position the cover by fitting the top barb first.
- Snap the cover down onto the bottom barb. Offset pump pliers work nicely to complete the cover installation. You can protect the cover from damage by taping the teeth on the pump pliers.



STEP 5

- Valleys must be heat traced using flat Ice Melt Panels.
- Use the Ice Melt Panel on both edges of the valley. Run heating cable up one side and loop it at the top, then down the other side.
- Connect the heating cable to a power source using a drip loop.
- Complete the installation by looping the cable back through the rain gutter and terminate the heating cable at the bottom of the down spout using an appropriate end.

