

OTS-1A AND OTS-2A

Line And Ambient Sensing Thermostats



Detail 1. OTS-1A

OTS-1A DESCRIPTION

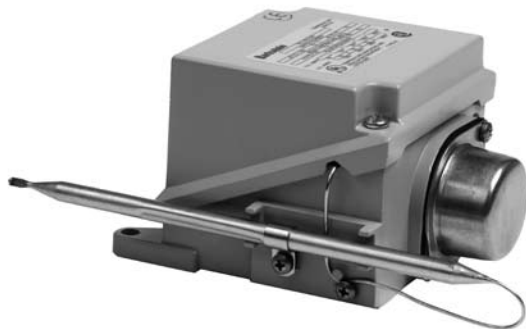
Delta-Therm's OTS-1A is a NEMA 4X line-sensing thermostat featuring a watertight, dust tight, and corrosion resistant die cast enclosure. The thermostat contains a calibrated reference dial and tamper-proof adjustment for outdoor or indoor locations. A liquid-filled thermal system, with its stainless steel bulb and capillary, ensures a dependable and accurate control system.

APPLICATIONS

Pipe Tracing Systems
Tank Heating Systems
Process Heating Systems

APPROVALS

UL Listed



Detail 1. OTS-2A

OTS-2A DESCRIPTION

Delta-Therm's OTS-2A is a NEMA 4X ambient-sensing thermostat featuring a watertight, dust tight, and corrosion resistant die cast enclosure. The thermostat contains a calibrated reference dial and tamper-proof adjustment for outdoor or indoor locations. A liquid-filled thermal system, with its stainless steel bulb and capillary, ensures a dependable and accurate control system.

APPLICATIONS

Pipe Tracing Systems
Tank Heating Systems

APPROVALS

UL Listed

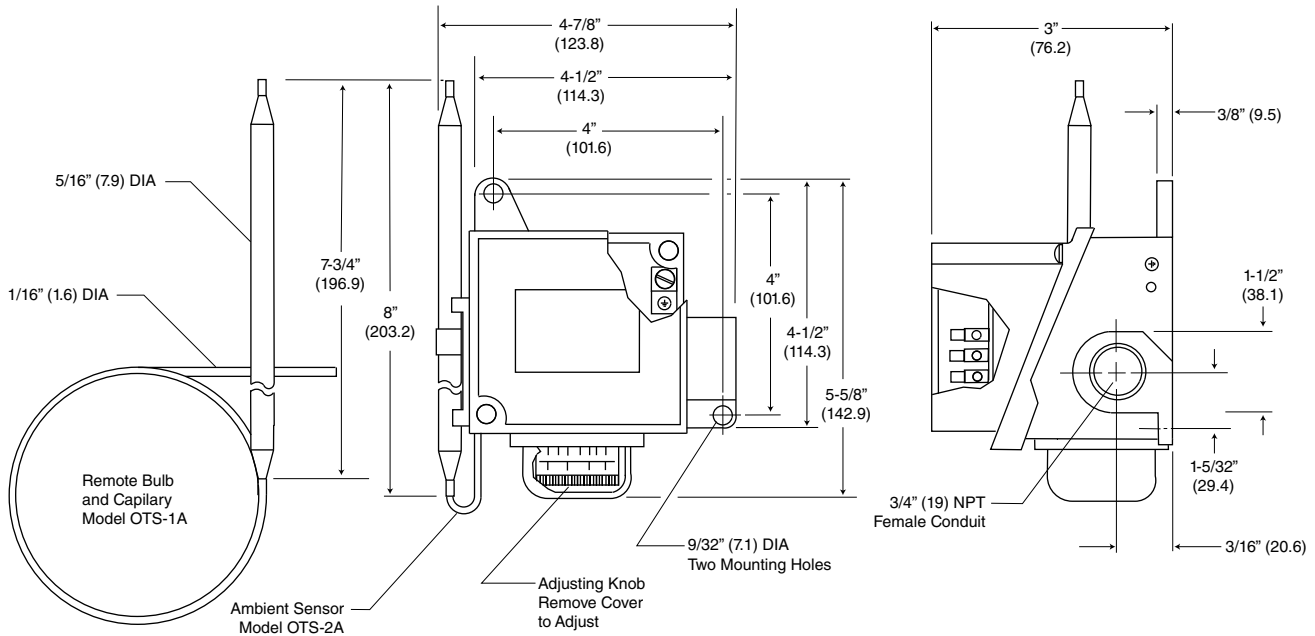


OTS-1A SPECIFICATIONS

- Enclosure:** NEMA 4X. Watertight, dust tight, and corrosion resistant die cast aluminum with green polyurethane coating. Other exposed metal is stainless steel.
- Connection:** Screw terminals on covered terminal strip through 3/4" (64cm) NPT conduit connection. 14-10 AWG range
- Switch:** Single pole, double throw, snap action switching element.
- Range:** 25°F to 325°F (4°C to 163°C)
- Ambient Range of Enclosure:** -40°F to 160°F (-40°C to 71°C)
- Rating:** 22 Amps up to 480V AC
- Sensor:** 10' (3m) SS capillary .312/8 inch (8mm/20cm) bulb
- Differential:** 10°F (approximate) (12°C)
- Wiring:** Heating - open on temperature rise - wire to C (purple) and NC (blue).

OTS-2A SPECIFICATIONS

- Enclosure:** NEMA 4X. Watertight, dust tight, and corrosion resistant die cast aluminum with green polyurethane coating. Other exposed metal is stainless steel.
- Connection:** Screw terminals on covered terminal strip through 3/4" (64CM) NPT conduit connection. 14-10 AWG range
- Switch:** Single pole, double throw, snap action switching element.
- Range:** 15°F to 140°F (9°C to 60°C)
- Ambient Range of Enclosure:** -40°F to 160°F (-40°C to 71°C)
- Rating:** 22 Amps up to 480V AC
- Sensor:** 316L series SS sensor bulb in local mount. .312" dia x 8" (8mm x 20cm)
- Differential:** 10°F (12°C)
- Wiring:** Heating - open on temperature rise - wire to C (purple) and NC (blue).



Detail 1. OTS-1A and OTS-2A enclosure dimensions in inches (mm)