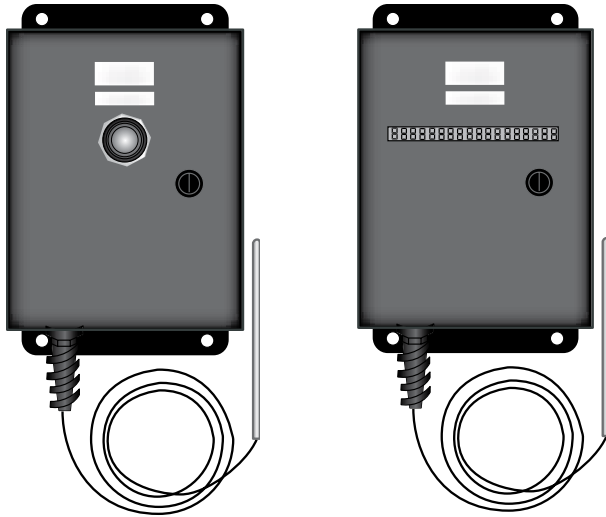




TRACEMATE I AND II

Electronic Thermostat With Monitoring



TraceMate I

TraceMate II

DESCRIPTION

The TraceMate is a self-contained electronic line sensing thermostat with monitoring capabilities that switches a 30 amp load per circuit.

The TraceMate has a built-in adjustable 30mA Ground Fault Protection Device (GFPD) and uses a 100-ohm, 3-wire platinum Resistance Temperature Detector (RTD).

The TraceMate controls heat tracing to a differential of 37°F (3°C) using solid state controls and microprocessor-driven commands.

MONITORING FEATURES

- Green LCD Alarm Indicator On Panel Door Of TraceMate I
- LCD Digital Display On Panel Door Of TraceMate II
- Low And High Temperature Alarm
- Current Failure Alarm
- Ground Fault Alarm
- RTD Failure Alarm
- Remote Monitoring

APPLICATIONS

Freeze Protection Pipe Tracing Systems

Temperature Maintenance Pipe Tracing Systems

APPROVALS

TRACEMATE I	TRACEMATE II
CSA and FM Normal And Hazardous Locations	FM Normal And Hazardous Locations
Class I, Div. 2 Groups A, B, C, & D	Class I, Div. 2 Groups A, B, C, & D
Class I, Zone II Group IIC	Class I, Zone II Group IIC



TRACE MATE I ELECTRICAL SPECIFICATIONS

Enclosure: NEMA 4X steel, powder coat painted black
 H/W/D 8/6/4 inch (single pole model) (20/15/10 cm)
 10/8/4 inch (dual pole model) (25/20/10 cm)

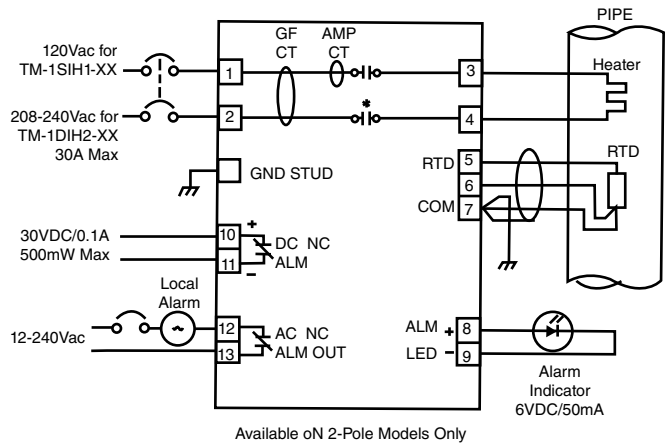
Setpoint Range: 0° to 511°C or °F

Input Voltage: 120, 208, 240, or 277 VAC

Electrical Rating: Single pole
 120 and 277 VAC @ 30 amps
 Dual pole
 208 - 240 VAC @ 30 amps

Exposure Limits: The standard RTD is rated at 392°F (200°C)

Sensor: Two 100-ohm, 3-wire RTDs



Detail 1 TraceMate I Wiring Diagram for 120 and 240 VAC Models

TRACE MATE II ELECTRICAL SPECIFICATIONS

Enclosure: NEMA 4X steel, powder coat painted black
 H/W/D 10/8/4 inch (25/20/10 cm)

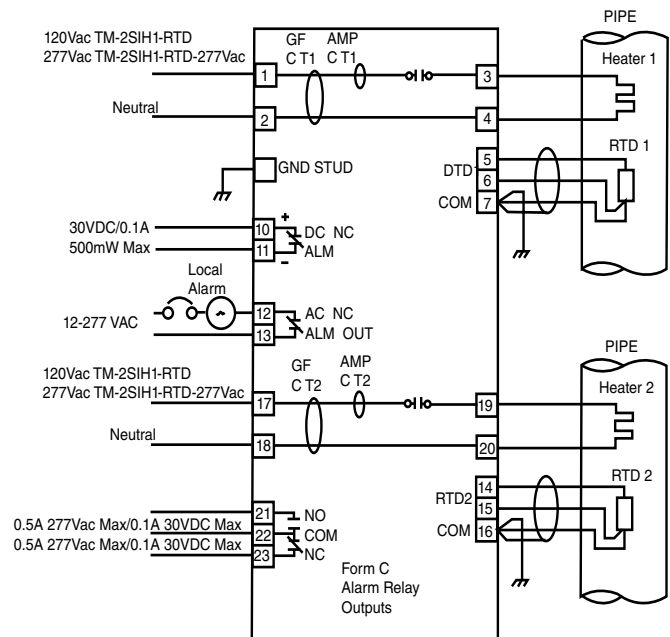
Setpoint Range: 0° to 511°C or °F

Input Voltage: 120 VAC

Electrical Rating: Single pole 120 VAC @ 30 amps per circuit

Exposure Limits: The standard RTD is rated at 392°F (200°C)

Sensor: Two 100-ohm, 3-wire RTDs



Detail 2 TraceMate II Wiring Diagram