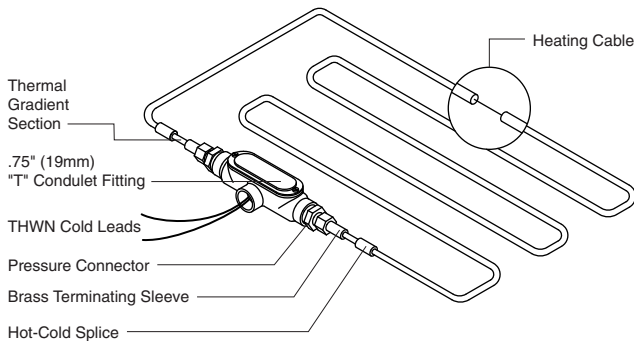
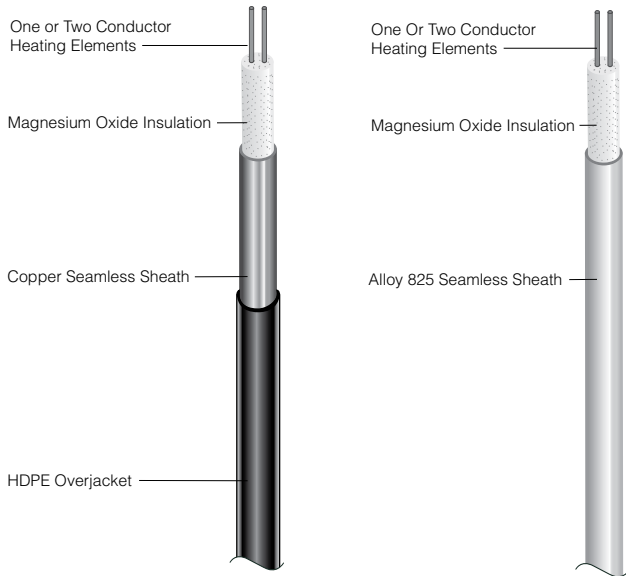
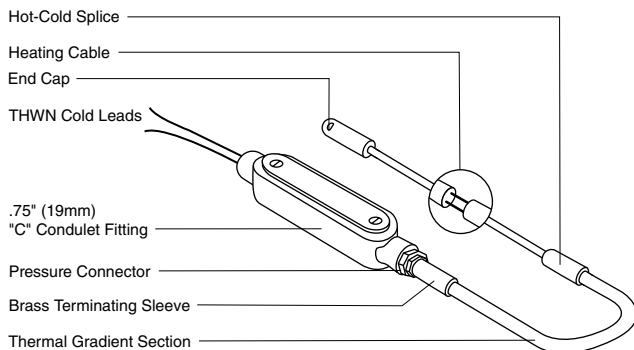


MINERAL INSULATED (MI) PERMAFROST PREVENTION CABLE ASSEMBLY

One Conductor And Two Conductor



Detail 1. One Conductor Cable Assembly



Detail 2. Two Conductor Cable Assembly

DESCRIPTION

Mineral insulated (MI) cable consists of one or two conductor heating elements embedded in highly compressed magnesium oxide covered by a copper or an Alloy 825 stainless steel sheath. Application requirements determine resistance size and sheath material.

TERMINATION CONSTRUCTION

Each Delta-Therm MI cable assembly is fully terminated and moisture proof. The end termination consists of a 3' (91cm) thermal gradient section connected to 20' (6m) THWN cold leads. The cold leads are crimped and soldered to the thermal gradient section, insulated with a high-dielectric, high-temperature tape, and epoxy potted in a rigid brass sleeve. The thermal gradient section is silver soldered to the heating element and protected by a rigid brass sleeve packed with magnesium oxide.

COLD LEADS

The 19-strand THWN wire connects to an electrical circuit. Standard cold lead length is 20' (6m). Leads can be ordered at any length, allowing junction boxes to be placed in remote, dry locations.

NUMEROUS VOLTAGES

Delta-Therm can design MI permafrost prevention cable assemblies for any voltage up to 600 volts.

FLEXIBLE

MI cable is annealed (annealing tempers metal and removes brittleness) and easy to form and install. Irregular areas and obstacles are easily accommodated.

HDPE JACKETING

Extruded, high-density polyethylene jacketing adds physical strength and protects against corrosives.

FIRE RESISTANT

MI cable construction will not contribute to or cause an electrical fire.

NO DEGRADATION

Delta-Therm MI cable is made of inorganic materials. Degradation of MI cable is negligible when compared to cables made of organic materials such as plastic.



COMPREHENSIVE FACTORY TESTING

Each cable undergoes hi-pot, megger, and resistance tests both before and after overnight immersion in water.

LOW INSTALLATION COSTS

MI cable arrives ready to install. Since terminations are done at the factory, electricians can expedite the installation, helping to reduce overall installation costs.

Recommended Watts Per Lineal Foot And Cable Spacing

Area	Watts	Centers
Freezer Floor In. (mm)	4-12	4" Centers (122)

Material Temperature Limits

HDPE Overjacket °F (°C)	194** (90°)
Copper °F (°C)	392° (200°)

*HDPE overjacketed cable may be exposed to higher temperatures during installation in asphalt.

Cold Lead Size

Amps	Wire Size
0-16	12 AWG
16-24	10 AWG
24-45	8 AWG
45-65	6 AWG

BASE KIT (supplied with each MI cable assembly)

- Three Foot Thermal Gradient Section
- Cold Leads
- Pressure Connectors
- "T" Or "C" Condulet With Gasket And Cover
- Delta Dry (Water Repellent Powder)
- Duct Seal
- Installation Instructions

Base Kit Accessories

Heater Assembly Only
Additional 19-Strand Cold Lead
Base Kit
Splice Kit
Unilet Kit
Additional Thermal Gradient

Controls

OTS-F1	Ambient Or Line Sensing Thermostat
A419ABC-1	Electronic Line Thermostat And Display
A419AEC-2C	Electronic Line Thermostat And Display

Panels

DT-XXPXXX	Enclosed Contactor
GFPE-X-X	Power Control Panel w/GFPE
LNR-X	Low Noise Relay Panel
Custom Control/Monitor/Alarm Panels	

INVENTORY AND SHIPPING

Delta-Therm maintains an inventory of both bare and jacketed mineral insulated cable. Orders of material in stock can usually be shipped within two weeks.

TO ORDER:															
Prefix (T - Tube heating)	_____	_____	_____	_____	_____	_____	_____	_____	_____	_____	_____	_____	_____	_____	_____
Number Of Conductors	_____	_____	_____	_____	_____	_____	_____	_____	_____	_____	_____	_____	_____	_____	_____
Ohms/Ft. (m)	_____	_____	_____	_____	_____	_____	_____	_____	_____	_____	_____	_____	_____	_____	_____
Length Per Hot Section	_____	_____	_____	_____	_____	_____	_____	_____	_____	_____	_____	_____	_____	_____	_____
Volts	_____	_____	_____	_____	_____	_____	_____	_____	_____	_____	_____	_____	_____	_____	_____
Amps	_____	_____	_____	_____	_____	_____	_____	_____	_____	_____	_____	_____	_____	_____	_____
kW	_____	_____	_____	_____	_____	_____	_____	_____	_____	_____	_____	_____	_____	_____	_____
Watts Per Lineal Foot (refer to design guide)	_____	_____	_____	_____	_____	_____	_____	_____	_____	_____	_____	_____	_____	_____	_____
Suffix H, B, Or SS (if desired)	_____	_____	_____	_____	_____	_____	_____	_____	_____	_____	_____	_____	_____	_____	_____
AWG (refer to chart)	_____	_____	_____	_____	_____	_____	_____	_____	_____	_____	_____	_____	_____	_____	_____
Cold Length (length needed to reach junction box NOTE: Voltage drop not to exceed 3%)	_____	_____	_____	_____	_____	_____	_____	_____	_____	_____	_____	_____	_____	_____	_____