



## DTC120-S

### Wired to Enclosed Contactor Panel

DTC120-S is designed to detect snow or ice, and automatically activate contactors for snow melting cables or mats.

#### DTC120-S INCLUDES:

1. DTC Control Panel
2. MS Slab Sensor (1 or 2)
3. OTS-F1 Ambient Thermostat

#### OPTIONAL ITEMS:

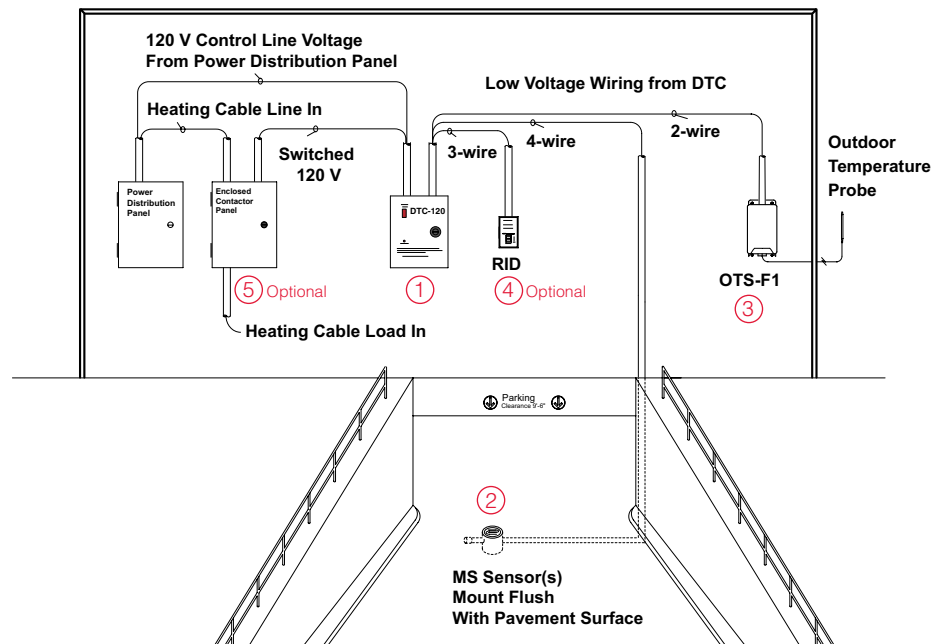
4. RID (Remote Indicator and Activation Timer)
5. Enclosed Contactor Panel



**WARNING:** This device must be installed by a qualified electrician. All assembly, installation, and test instructions must be followed. Improper installation can result in property damage, serious injury, and/or death due to electric shock. Call Delta-Therm at 1-800-526-7887 with any installation or operating questions.

### Finished Install

**NOTE:** The National Electrical Code (NEC) requires 30mA Ground Fault Protection Equipment (GFPE) on this system. Check with all local codes prior to installation.



# DELTA-THERM.COM

DELTA-THERM Corp., P.O. Box 345, Wauconda, IL 60084 (800) 526-7887 Fax (847) 526-4456



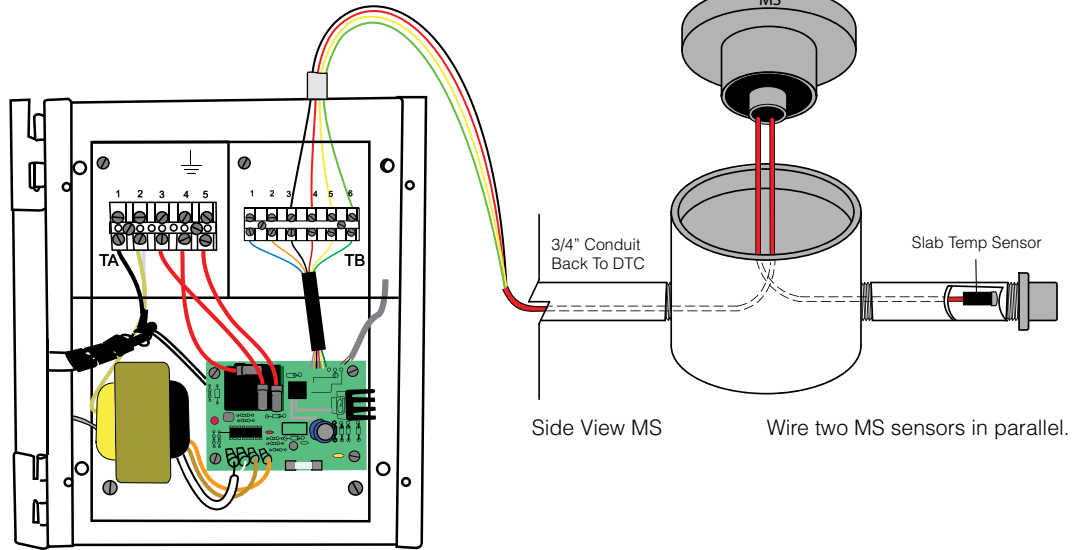
leaders in engineered heat trace



# 3

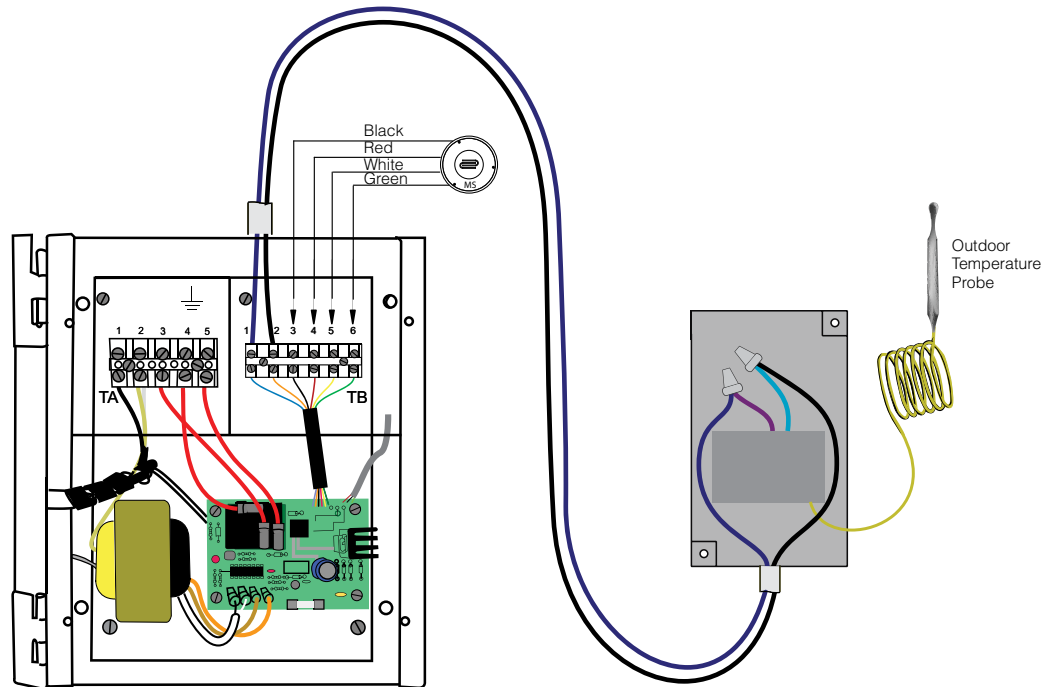
## Wiring the MS Sensor

- black ———— TB3
- red ———— TB4
- yellow ———— TB5
- green ———— TB6



# 4

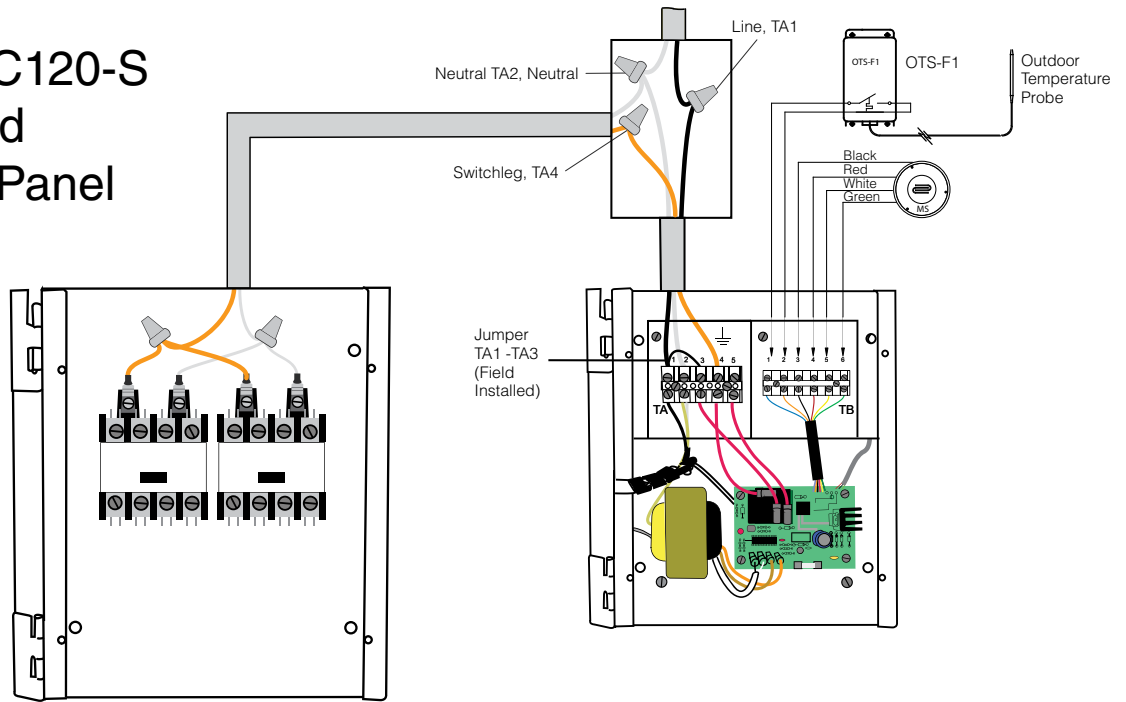
## Wiring OTS-F1





## 5

### Wiring DTC120-S to Enclosed Contactor Panel



## 6

### Installing and Wiring RID

