



## DTC120-G

### Wired to LNR Panel

DTC120-G is designed to detect snow or ice, and automatically activates contactors/relays for roof, gutter and downspout deicing cable(s).

#### DTC120-G INCLUDES:

1. DTC Control Panel
2. GS Gutter Sensor (up to 4)
3. OTS-F1 Ambient Thermostat

#### OPTIONAL ITEMS:

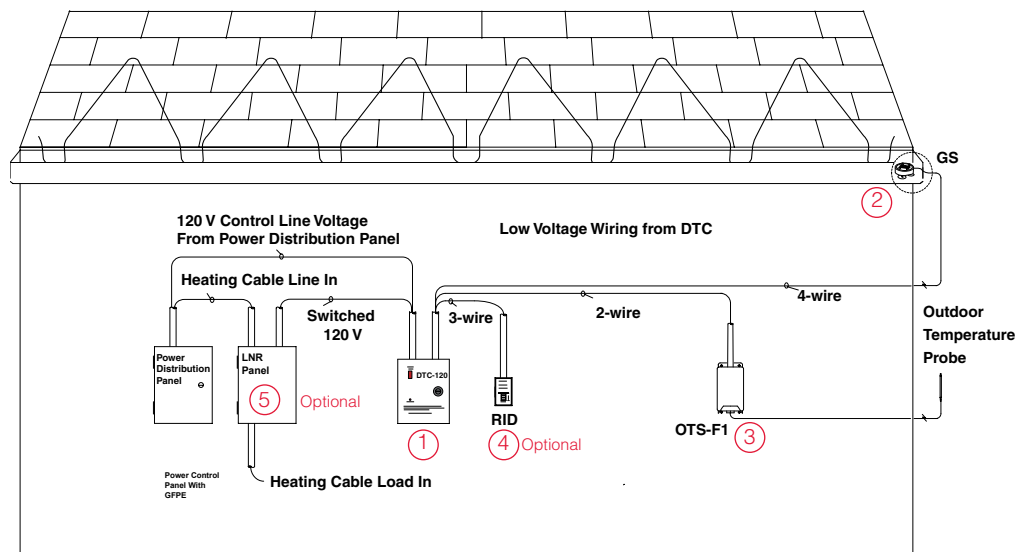
4. RID (Remote Indicator and Activation Timer)
5. Enclosed Contactor Panel



**WARNING:** This device must be installed by a qualified electrician. All assembly, installation, and test instructions must be followed. Improper installation can result in property damage, serious injury, and/or death due to electric shock. Call Delta-Therm at 1-800-526-7887 with any installation or operating questions.

### Finished Install

**NOTE:** The National Electrical Code (NEC) requires 30mA Ground Fault Protection Equipment (GFPE) on this system. Check with all local codes prior to installation.



# DELTA-THERM.COM



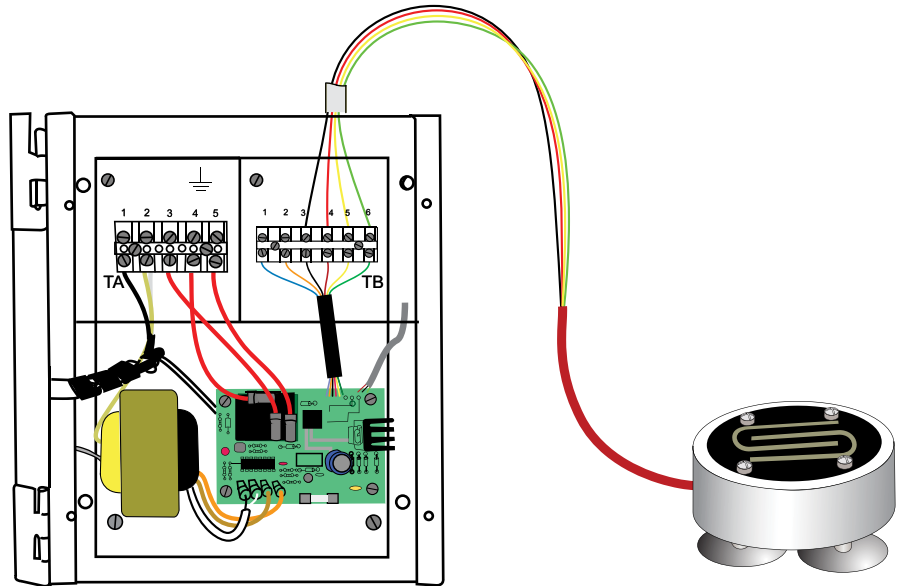


# 3

## Wiring the GS Sensor

The DTC (NEMA 1) Control Panel must be installed by a qualified electrician.

- black ———— TB3
- red ———— TB4
- yellow ———— TB5
- green ———— TB6

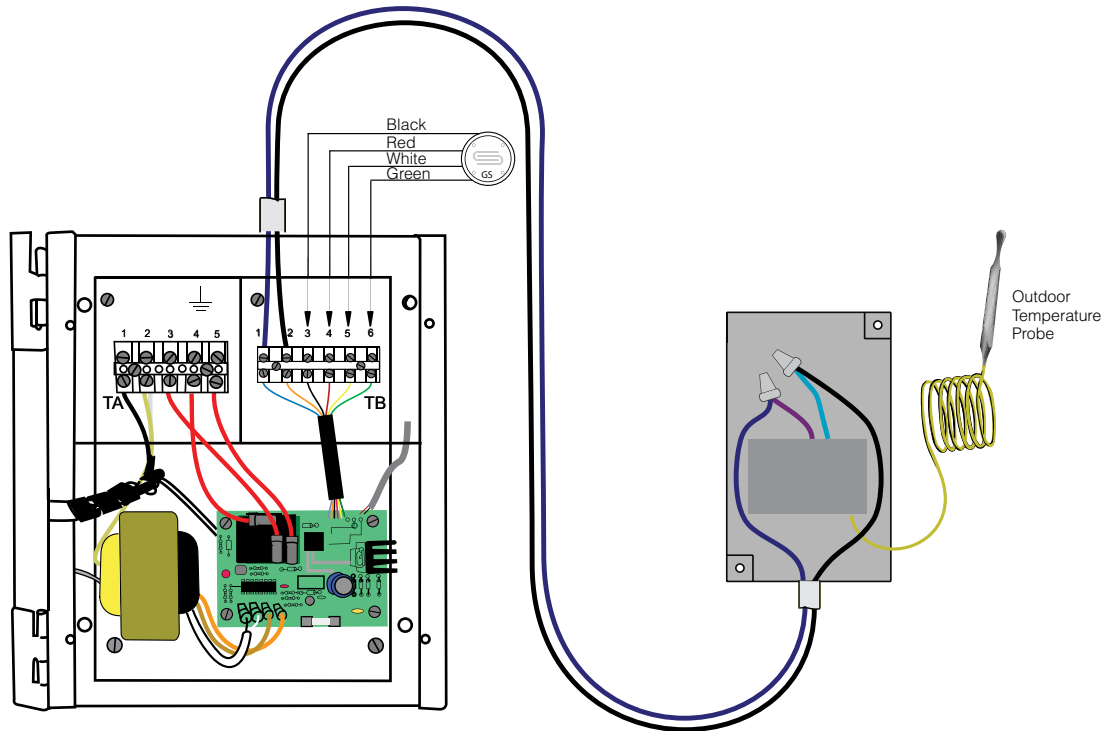


Side View GS

NOTE: Wire up to four GS sensors in parallel.

# 4

## Wiring OTS-F1

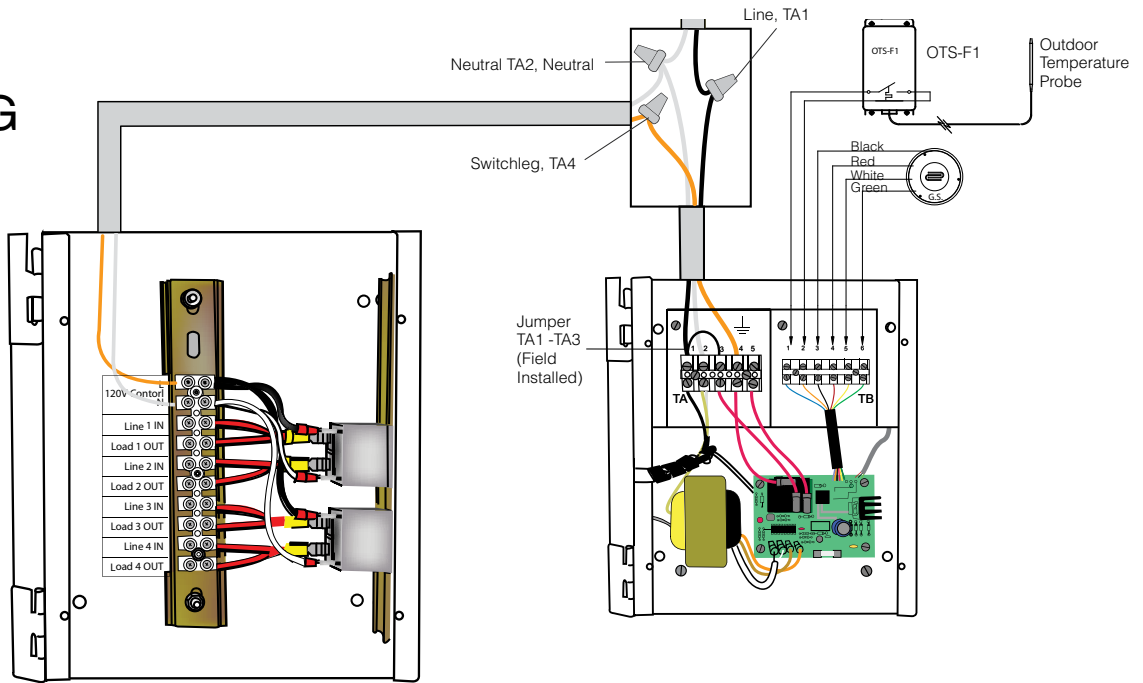




# Roof Deicing Q.I.G.

## 5

### Wiring DTC120-G to LNR Panel



## 6

### Installing and Wiring RID

