

## POWERTRACE E55A-E21BS

### Line Sensing Thermostat



#### DESCRIPTION

Delta-Therm's PowerTrace E55A-E21BS can be applied as a line sensing or ambient sensing thermostat. It is designed to protect against dust, water and rain. The enclosure is NEMA 4, and covers are gasketed.

The switching is dual SPDT. The switch may be separated up to 100% of range. Switches may be wired normally open, or normally closed.

The bulb and capillary are stainless steel and the fill is non-toxic oil which is not affected by barometric pressure.

The thermostat is screw mounted. There is one .5" (1cm) threaded conduit opening at the bottom of the unit. The adjustment knob is side mounted and covered.

#### APPLICATIONS

Pipe Trace Systems

Tank Trace Systems

Permafrost Prevention Systems

#### APPROVALS

UL Listed

CSA Certified

#### E55A-E21BS SPECIFICATIONS

<b>Enclosure:</b>	NEMA 4
<b>Switch:</b>	Two SPDT
<b>Adjustable Range:</b>	0° to 150°F (-15° to 65°C)
<b>Max. Allowable Temp.:</b>	1600°F (871°C)
<b>Electrical Rating:</b>	15 Amps, 480 VAC
<b>Sensor:</b>	Stainless Steel, 6' (2m) capillary



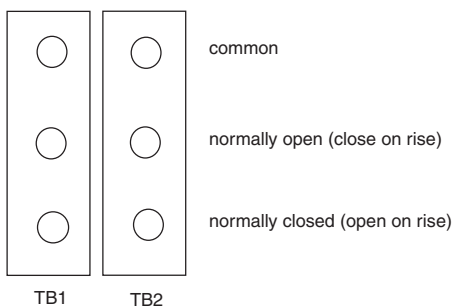


### WARNING

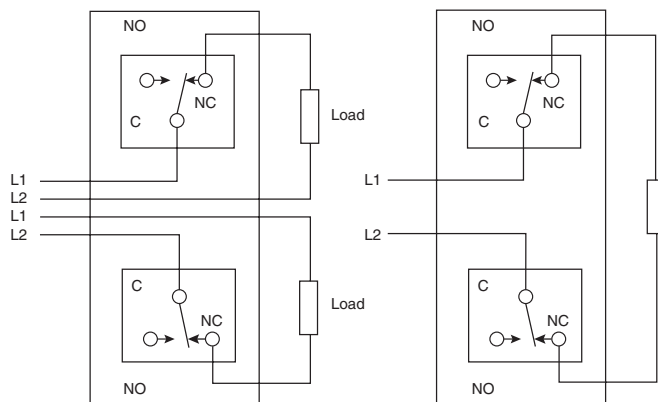
**WARNING:** The E55A-E21BS thermostat must be installed by a qualified electrician. All assembly, installation, and test instructions must be followed. Improper installation can result in property damage, serious injury or death due to electric shock. Please call Delta-Therm Corporation at 1-800-526-7887 with any installation or operating questions.

### TERMINAL BLOCK

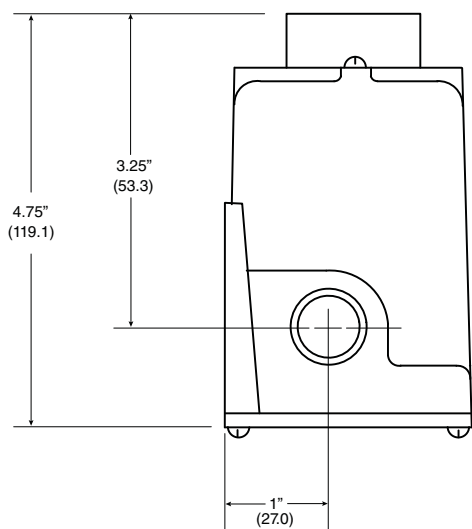
The terminals use #6-32 screws. For heating applications wire into common and normally closed. Refer to Details 1 and 2.



Detail 1. Terminal Block.



Detail 2. For Heating Applications (open on rise) wire common to NC.



Detail 3. E55 Enclosure dimensions in inches (mm).

