

## OTS-F1

### Ambient Sensing Thermostat



#### DESCRIPTION

Delta-Therm's OTS-F1 can be used as an ambient sensing thermostat (with capillary coiled) or a line sensing thermostat. Line sensing is when the bulb is attached directly to a pipe. The OTS-F1 has a fixed set point of 40°F. (4°C) The enclosure is NEMA 4X (weatherproof and corrosion resistant). The OTS-F1 comes with a rubber coated bulb which may be used in air, gases, or liquids. The maximum temperature for the sensing bulb is 140°F. (60°C) The thermostat also features a ten foot capillary.

The OTS-F1 comes individually boxed with an instruction sheet.

#### APPLICATIONS

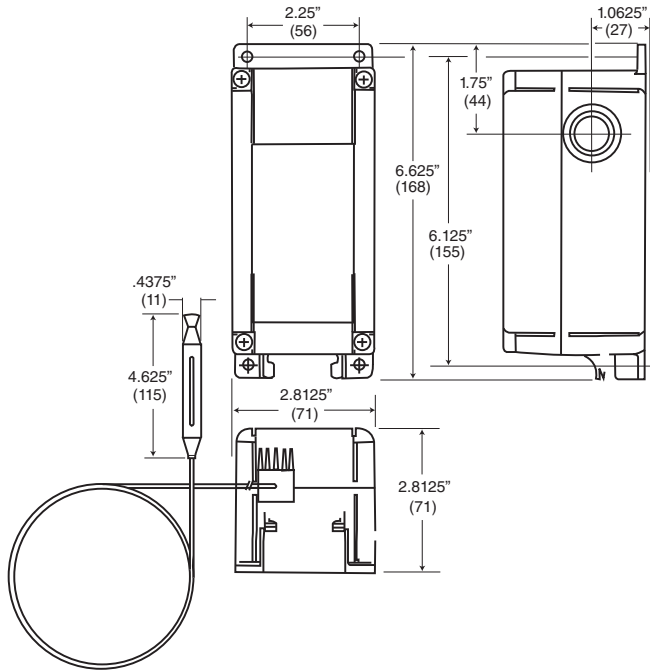
Pipe Tracing Systems  
Tank Trace Systems  
Permafrost Prevention Systems

#### APPROVALS

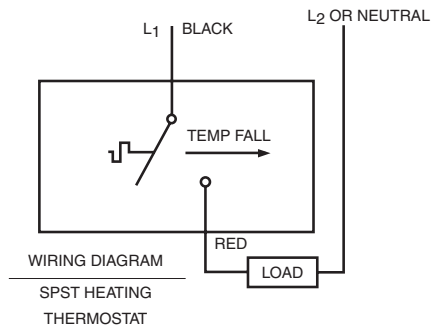
UL<sub>us</sub> Listed

#### OTS-F1 SPECIFICATIONS

<b>Enclosure:</b>	NEMA 4X
<b>Switch:</b>	Single pole, single throw
<b>Setpoint:</b>	40°F +/- 4°F (4°C +/- 15°C)
<b>Differential:</b>	5°F (15°C)
<b>Electrical Rating:</b>	22 Amps at 120-277 VAC
<b>Pilot Duty:</b>	125 VA (120-277 VAC)
<b>Exposure Limits:</b>	-30°F to 140°F (-30°C to 60°C)
<b>Sensor:</b>	Fluid-filled bulb and 10' (3m) capillary.



**Detail 1.** OTS-F1 Enclosure dimensions in inches (mm).



**Detail 2.** OTS-F1 Wiring Diagram.



**WARNING**

**WARNING:** The OTS-F1 thermostat must be installed by a qualified electrician. All assembly, installation, and test instructions must be followed. Improper installation can result in property damage, serious injury or death due to electric shock. Please call Delta-Therm Corporation at 1-800-526-7887 with any installation or operating questions.