

## GFPE-X-N PANELS

### Power Control Panel With GFPE



#### MODEL # GFPE-2-N-A

Enclosure: NEMA 1  
H/W/D: 16/16/7 Inches (41/41/18cm)  
Contains: Two 2 pole relays rated at 30A  
Controls: 2 circuits at voltage up to 277 VAC

#### MODEL # GFPE-4-N-A

Enclosure: NEMA 1  
H/W/D: 20/20/7 Inches (51/51/18cm)  
Contains: Four 2 pole relays rated at 30A  
Controls: 4 circuits at voltage up to 277 VAC

#### MODEL # GFPE-8-N-A

Enclosure: NEMA 1  
H/W/D: 30/24/7 Inches (76/61/18cm)  
Contains: Eight 2 pole relays rated at 30A  
Controls: 8 circuits at voltage up to 277 VAC

#### MODEL # GFPE-12-N-A

Enclosure: NEMA 1  
H/W/D: 36/30/7 Inches (91/76/18cm)  
Contains: Twelve 2 pole relays rated at 30A  
Controls: 12 circuits at voltage up to 277 VAC

#### DESCRIPTION

The Delta-Therm Power Control Panel is a relay panel with built-in 30mA ground fault circuit protection per circuit. The panel can be activated by a DTC120, MPS, thermostat, or other device supplying dry contacts or 120 VAC.

- NEMA 1 Enclosure  
(Other Nema Ratings Available Upon Request)
- One 2 Pole Relay Rated at 30A Per Circuit Standard, 40A or 50A Contactor Optional.
- Terminals For Field Wiring
- Control Of 120, 208, 240 Or 277 VAC Circuits
- Control Of 480 VAC Circuits Available
- Upon Activation Each Circuit Has Its Own Ground Fault Protection Of Equipment To 30mA Per NEC Article 426 And 427
- One Ground Fault Module Per Circuit
- One Red LED Trip Indicator Per Interior Circuit
- Red LED Trip Indicator On Panel Door
- Red LED System On Indicator On Panel Door
- Green LED Control Power Indicator On Panel Door
- Dry Alarm Contacts Included
- Painted Metal Finish - Gray
- 120 VAC Or Dry Contact Activation

**NOTE:** Does not contain breakers or over current devices.

**NOTE:** This panel uses 30 mA ground fault protection and can not be used with floor warming systems in bathrooms or other locations requiring 5 mA ground fault protection.

**NOTE:** Other panel combinations of circuits, 480 VAC, and currents above 30A can be custom built-to-order (please use the custom panel order form)

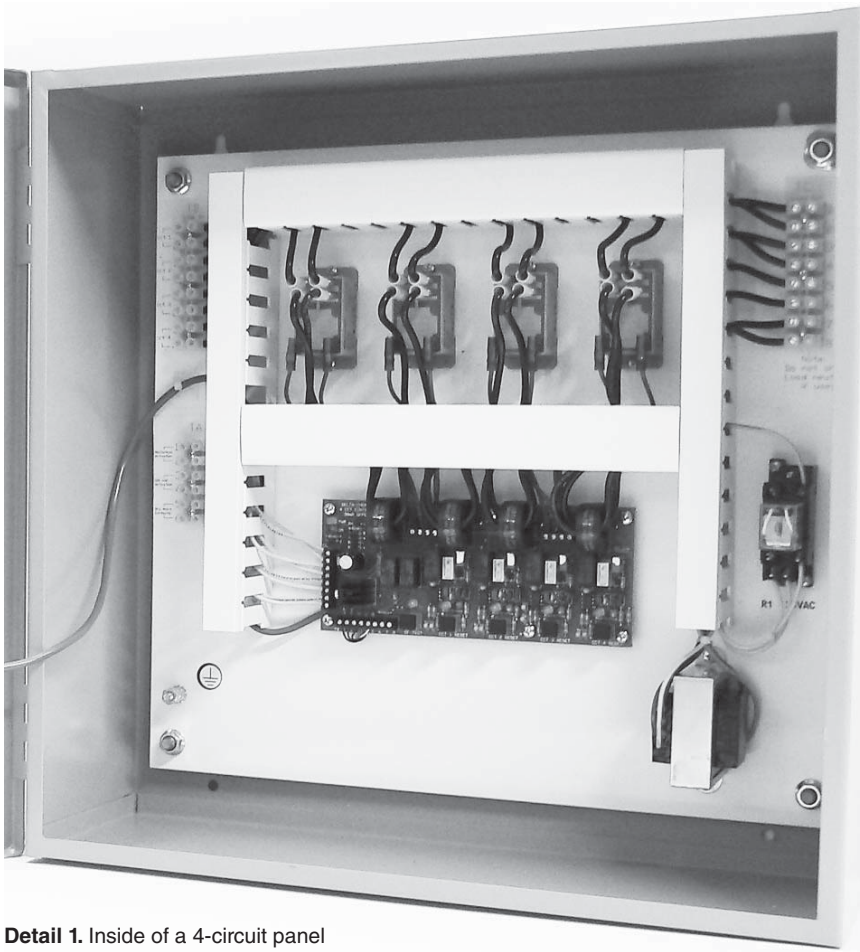
#### APPLICATIONS

Pipe Tracing, Snow Melting, Roof Deicing, Floor Warming, Specialty Heating And Zoo Dens.

#### APPROVALS

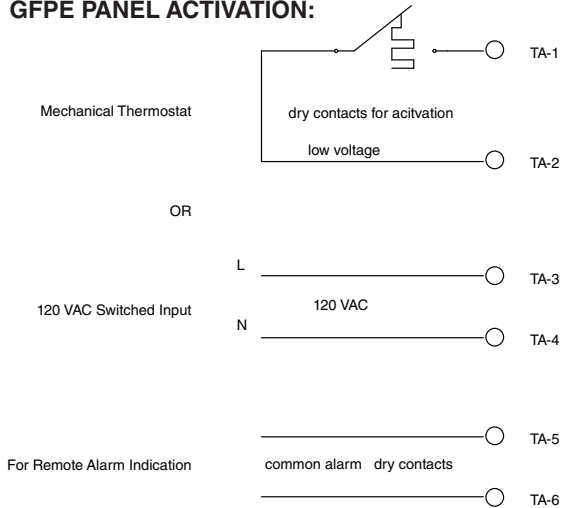
UL Listed for the U.S. and Canada per standard 1053





**Detail 1.** Inside of a 4-circuit panel

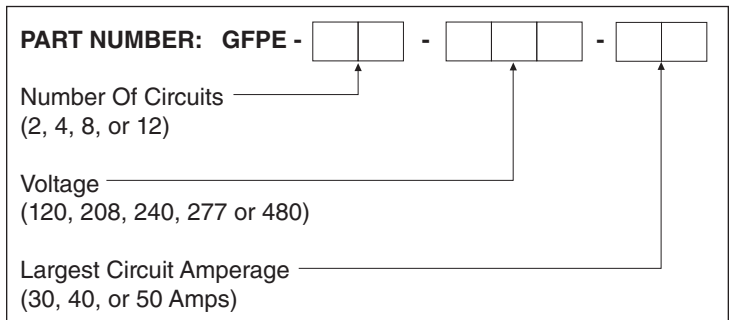
**GFPE PANEL ACTIVATION:**



**Detail 1.** Terminal Block A.

- TA-1 and TA-2 are low voltage
- Do not apply any voltage to TA-1 or TA-2
- Do not share low voltage input with other gfpe panels
- TA-1 and TA-2 are a low voltage loop

**CREATING A PART NUMBER**



**EXAMPLE: GFPE-4-208-30**

4 circuits with 30mA GFPE at 208 VAC and 30 Amps

120, 208, 240, and 277 VAC 30 amp panels are the standard stock model. 40 and 50 amp circuit panels are an available option for an additional price.

480 VAC Power Control Panels with G.F.P.E. are available upon request.