

## T-F SERIES

### Fiberglass Banding Tapes



#### DESCRIPTION

Fiberglass Banding Tape is tough, abrasion resistant and is highly conformable and non-corrosive. It is constructed to offer excellent solvent and flagging resistance. It conforms to UL (OANZ2.)

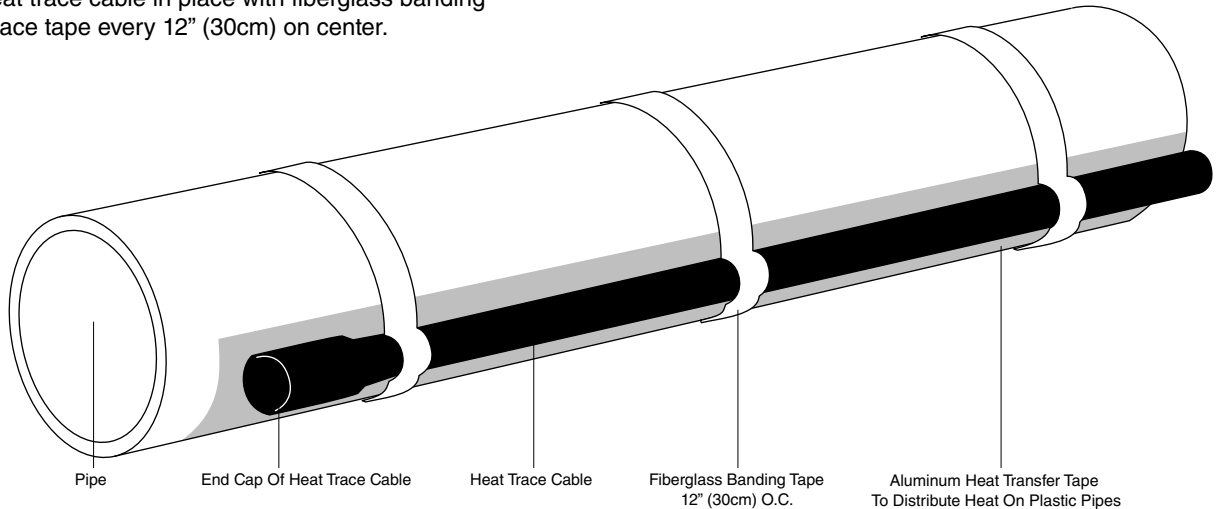
CATALOG NUMBER	T-F50	T-F75	T-F100	T-F50H
TYPE	Low Temp.	Low Temp.	Low Temp.	High Temp.
WIDTH In. (cm)	.5" (1)	.75" (2)	1" (3)	.5" (1)
ROLL LENGTH Ft. (m)	180' (55)	180' (55)	180' (55)	108' (55)
<b>MATERIAL:</b>				
BACKING	Fiberglass	Fiberglass	Fiberglass	Fiberglass
THICKNESS In. (mm)	.0045" (.11)	.0045" (.11)	.0045" (.11)	.0045" (.11)
ADHESIVE	Acrylic	Acrylic	Acrylic	Silicone
TOTAL THICKNESS In. (mm)	.007" (.18)	.007" (.18)	.007" (.18)	.007" (.18)
BREAKING STRENGTH LBS/INCH OF WIDTH	150	150	150	150
ELONGATION %	<5	<5	<5	<5
DIELECTRIC STRENGTH VOLTS	2800	2800	2800	3500
INSULATION CLASS	311	311	311	356
MINIMUM APPLICATION TEMPERATURE °F (°C)	40° (4°C)	40° (4°C)	40° (4°C)	To -40° (-40°)

Tapes come in a variety of widths to meet the specific needs for your project.

## INSTALLING FIBERGLASS BANDING TAPE

On plastic pipes you have to install a layer of aluminum heat transfer tape under the cable. On metal pipes you do not need to do this.

1. Place heat trace cable on top of the aluminum tape on a plastic pipe or directly on to a metal pipe.
2. Hold heat trace cable in place with fiberglass banding tape. Place tape every 12" (30cm) on center.



**Detail 1.** Attaching cable to pipe using fiberglass banding tape.

## TECHNICAL SUPPORT

A full set of installation instructions is included with order.  
Please call 1-800-526-7887 with any questions.