

OL-LED

Monitor Light (Ordinary Locations)

DESCRIPTION

The Delta-Therm OL-LED monitor light provides a means for end of line continuity monitoring of field terminated self-regulating and constant wattage cables.

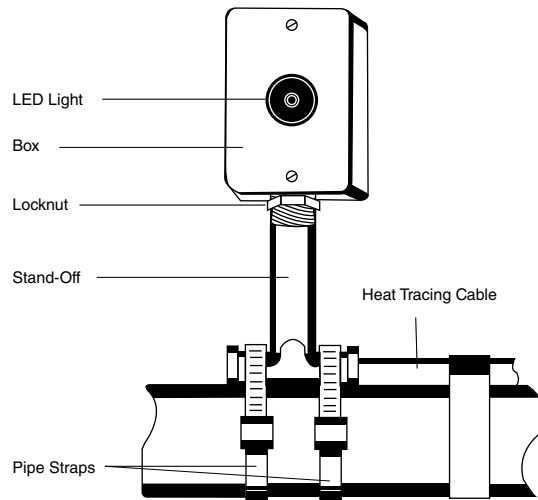
The OL-LED is supplied complete with stand-off and all necessary components to install the unit onto a pipe quickly and easily.

OL-LED FEATURES

- 100,000 Hours Operating Life
- Vibration Resistant
- Eliminates Lamp Failure Due To Fragile Lamp Filaments
- Large Viewing Angle
- Suitable For Wet Locations
- 120, 208, 240, Or 277VAC Operation
- One Monitor Light Stocking Item For 4 Voltages
- Light Intensity Comparable To Incandescent Lamps And Far Superior To Neon Lamps



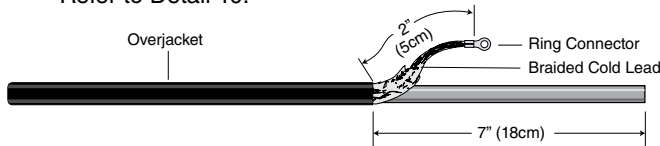
- A. Pipe Straps (2)
- B. Junction Box
- C. LED Light
- D. Standoff Pipe
- E. Screws (2)
- F. Ring Connector
- G. Butt Connectors (2)
- H. Ground Screw
- I. Extension Tabs (2)
- J. 3" of .5" (8 x 1cm) Diameter Heat Shrink Sleeve
- K. Knockout Plugs (2)
- L. .75" (2cm) Sealing Locknut Small



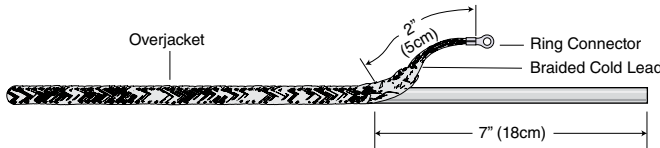
Detail 1.

INSTALLING THE OL-LED

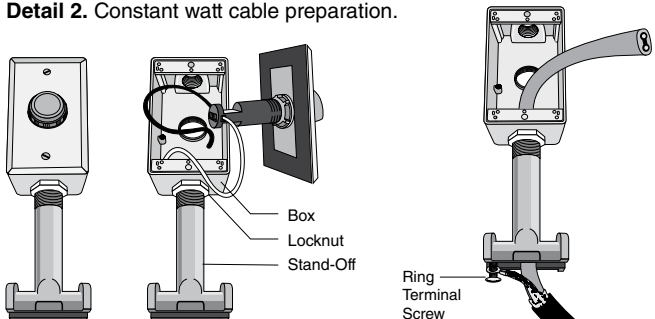
1. **SELF-REGULATING CABLE** end: Remove 7" (18cm) of overjacket. Remove 5" (13cm) of braid. Unbraid and twist remaining 2" (5cm) of braid and crimp on ring connector. **CONSTANT WATT CABLE** end: Remove 5" (13cm) of braid, and unbraid and twist 2" (5cm) of braid and crimp on ring connector. Refer to Detail 1 and 2.
2. Screw Box onto stand off. Hold desired position with locknut. Remove OL-LED front. Refer to Detail 3.
3. Push cable through standoff and into the box. Continue until ring terminal reaches threaded screw hole on underside of stand-off, secure with screw provided. Refer to Detail 4.
4. Set the assembly on pipe and fasten with pipe straps. Refer to Detail 5.
5. Slide the large 3" (8cm) heat shrink sleeve over the bus wires and insulated jacket. Refer to Detail 6 or 7. **Do not heat shrink at this detail.**
6. For **SELF-REGULATING CABLE Preparation**. Remove 2" (5cm) of insulating jacket. Split approximately 2" (5cm) of the center matrix on self-regulating cable. Refer to Detail 6. Strip bus wires and OL-LED's black and white wires at least .25" (.64cm). Refer to Detail 6. Strip .25" (.64cm) of the conductive core to expose the leads to the heater. For **CONSTANT WATT CABLE Preparation**. Remove 2" (5cm) of insulating jacket to expose insulated bus wire, and remove thin spiralled nichrome wire. Tuck nichrome wire end under jacket. Split approximately 2" (5cm) of insulated bus wire. Strip at least .25" (.64cm) off each wire. Refer to Detail 7.
7. Crimp one bus wire to the black monitor light wire and the other bus wire to the white monitor light wire using the insulated crimp connectors. Refer to Detail 8.
8. Position heat shrink sleeve over connectors, lead wires, insulating jacket and apply heat to shrink and seal. Refer to Detail 9.
9. Use silicone sealant on box closures as necessary. Push wire into box and attach the OL-LED front into position. Refer to Detail 10.



Detail 1. Self-regulating cable preparation.

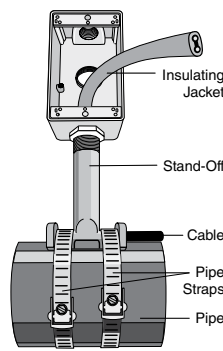


Detail 2. Constant watt cable preparation.

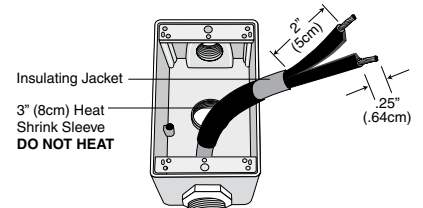


Detail 3. Screw box onto stand off. Hold position with locknut.

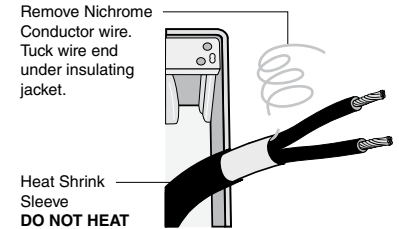
Detail 4. Insert cable and ring terminal.



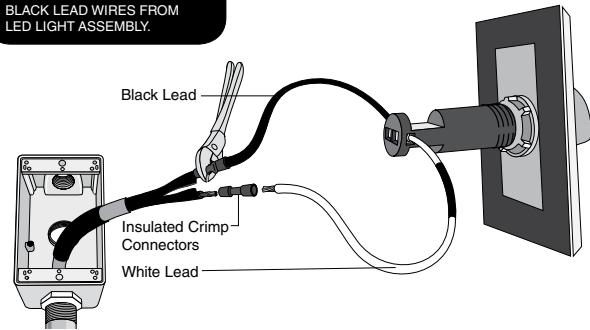
Detail 5. Fasten full assembly with pipe straps to pipe.



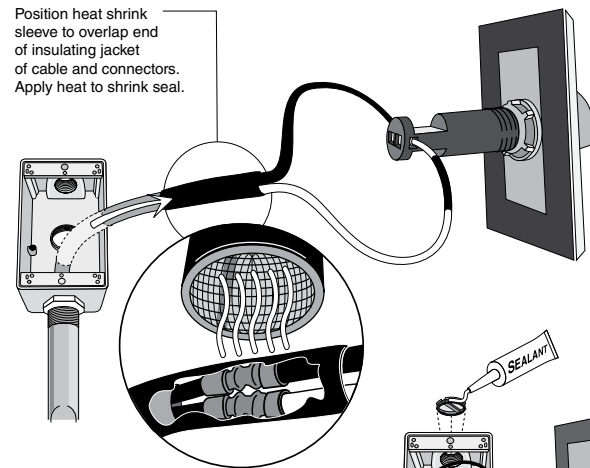
Detail 6. Self-regulating cable preparation.



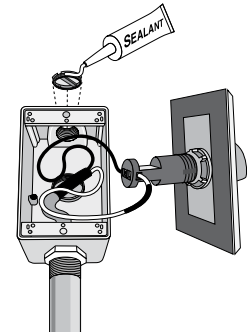
Detail 7. Constant Watt Cable preparation.



Detail 8. Attach cable to OL-LED.



Detail 9. Position heat shrink sleeve and heat.



Detail 10. Seal and assemble.

TECHNICAL SUPPORT

A full set of installation instructions is included with order. Please call 1-800-526-7887 with any questions.