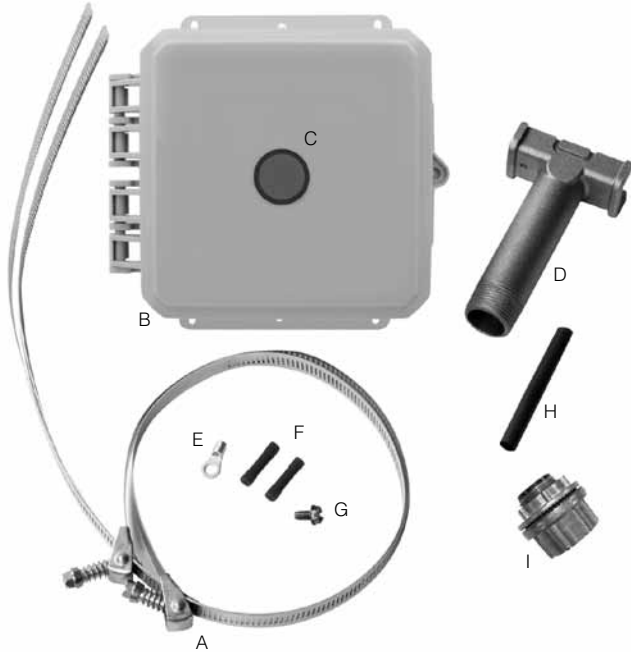
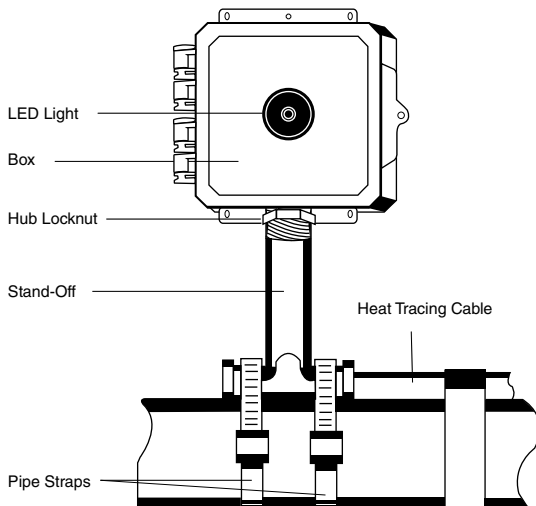


OL-PC

Monitor Light (Ordinary Locations)



- A. Pipe Straps (2)
- B. Polycarbonate Junction Box (6" x 6" x 3")
- C. LED Light
- D. 3/4" Standoff Pipe
- E. Ring Connector
- F. Butt Connectors (2)
- G. Ground Screw
- H. 3" of .5" (8 x 1cm) Diameter Heat Shrink Sleeve
- I. Hub



DESCRIPTION

The Delta-Therm OL-PC monitor light provides a means for end of line continuity monitoring of field terminated self-regulating and constant wattage cables.

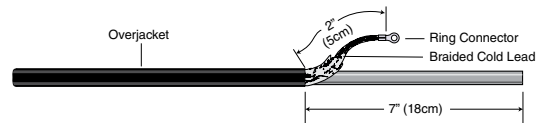
The OL-PC is supplied complete with stand-off and all necessary components to install the unit onto a pipe quickly and easily.

OL-PC FEATURES

- NEMA 4X Enclosure
- Polycarbonate Is Durable And Contains No Metal Components
- Lockable Enclosure
- 6" x 6" x 3" Enclosure Provides Room To Make Connections
- Hinged Cover Is Easy To Open And Close
- 100,000 Hours Of Operating Life
- Vibration Resistant
- Eliminates Lamp Failure Due To Fragile Lamp Filaments
- Large Viewing Angle
- Suitable For Wet Locations
- 120, 208, 240, Or 277 VAC Operation
- One Monitor Light Stocking Item For 4 Voltages
- Light Intensity Comparable To Incandescent Lamps, And Far Superior To Neon Lamps

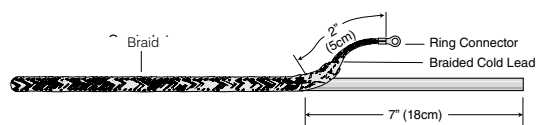
PREPARING CABLE FOR INSTALLATION

1. **SELF-REGULATING CABLE** end: Remove 7" (18cm) of overjacket. Remove 5" (13cm) of braid. Unbraid and twist remaining 2" (5cm) of braid and crimp on ring connector. Refer to Detail 1.



Detail 1. Self-regulating cable preparation.

2. **CONSTANT WATT CABLE** end: Remove 5" (13cm) of braid, and unbraid and twist 2" (5cm) of braid and crimp on ring connector. Refer to Detail 2.



Detail 2. Constant watt cable preparation.

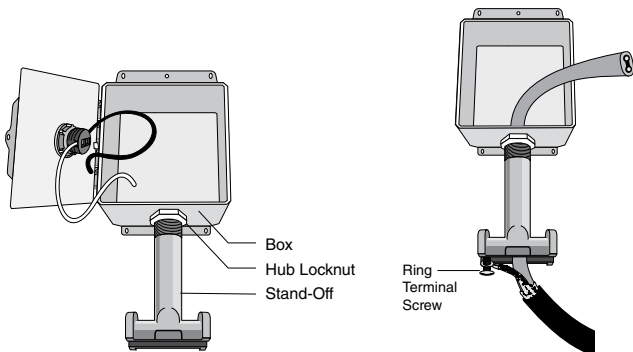
INSTALLING THE OL-PC MONITOR LIGHT

1. Screw hub onto stand off. Remove hub locknut. Place box on hub and secure with locknut. Open OL-PC panel door. Refer to Detail 3.
2. Push cable through standoff and into the box. Continue until ring terminal reaches threaded screw hole on underside of stand-off, secure with screw provided. Refer to Detail 4.
3. Set the assembly on pipe and fasten with pipe straps. Refer to Detail 5.
4. Slide the large 3" (8cm) heat shrink sleeve over the bus wires and insulated jacket. Refer to Detail 6 or 7. **Do not heat shrink at this detail.**

5. For **SELF-REGULATING CABLE**. Remove 2" (5cm) of insulating jacket. Split approximately 2" (5cm) of the center matrix on self-regulating cable. Refer to Detail 6. Strip bus wires and OL-PC's black and white wires at least .25" (.64cm). Refer to Detail 6. Strip .25" (.64cm) of the conductive core to expose the leads to the heater.

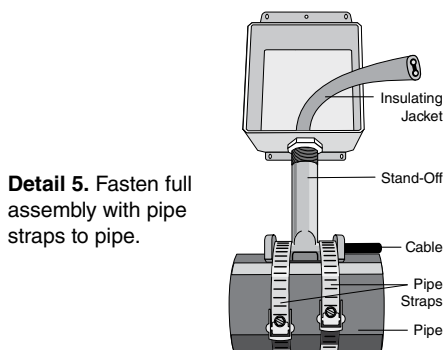
For **CONSTANT WATT CABLE**. Remove 2" (5cm) of insulating jacket to expose insulated bus wire, and remove thin spiralled nichrome wire. Tuck nichrome wire end under jacket. Split approximately 2" (5cm) of insulated bus wire. Strip at least .25" (.64cm) off each wire. Refer to Detail 7.

6. Crimp one bus wire to the black monitor light wire and the other bus wire to the white monitor light wire using the insulated crimp connectors. Refer to Detail 8.
7. Position heat shrink sleeve over connectors, lead wires, insulating jacket and apply heat to shrink and seal. Refer to Detail 9.
8. Push wire into box and close the OL-PC panel door. Refer to Detail 10.

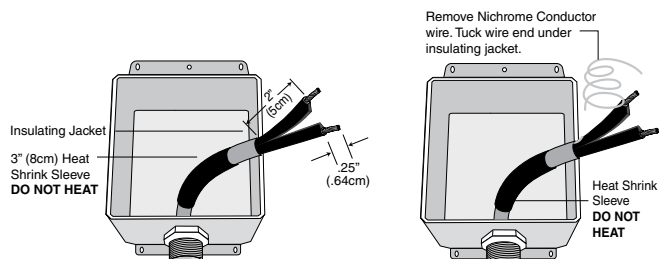


Detail 3. Screw box onto stand off. Remove OL-PC front.

Detail 4. Insert cable and ring terminal.



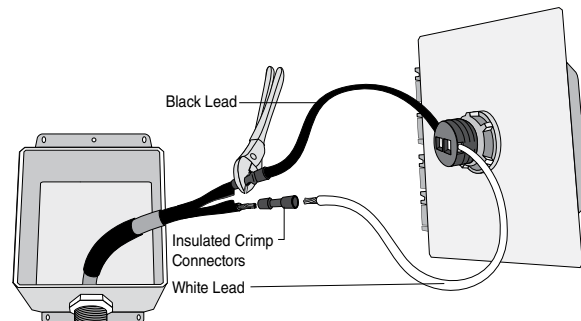
Detail 5. Fasten full assembly with pipe straps to pipe.



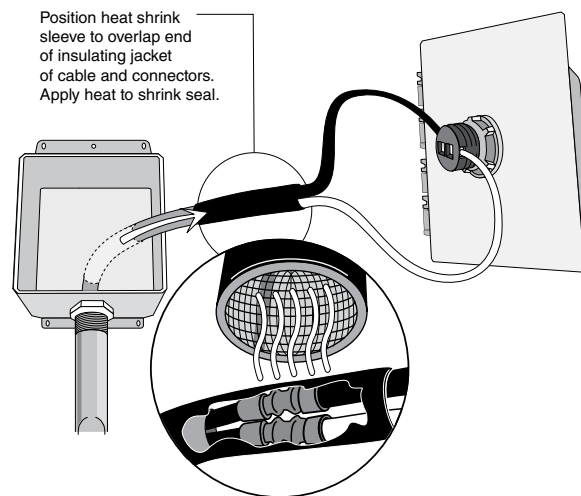
Detail 6. Self-regulating cable.

Detail 7. Constant watt cable.

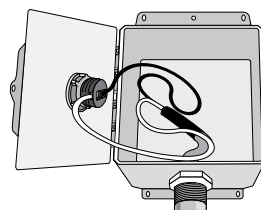
NOTE: Do not remove or replace white and/or black lead wires from LED light assembly.



Detail 8. Attach cable to LED light.



Detail 9. Position heat shrink sleeve and heat.



Detail 10. Finished assembly.

NOTE: To brighten LED light (for 120 VAC applications only), remove the white wire from light. Cut off the black Heat Shrink area from white wire. Strip .25" of insulation from newly cut end of white wire. Reattach white wire to light.

TECHNICAL SUPPORT

A full set of installation instructions is included with order. Please call 1-800-526-7887 with any questions.