

OLC-PC

Electronic Temperature Control & Monitor Light for Ordinary Locations

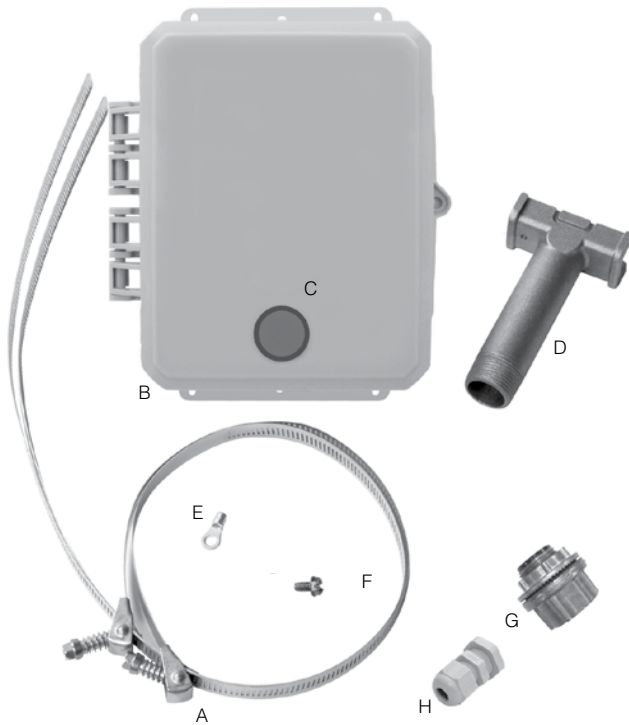
DESCRIPTION

The Delta-Therm OLC-PC-120 and OLC-PC-240 are electronic temperature controls with a monitor light. The device provides visual monitoring of when power is being applied to field terminated self-regulating and constant wattage cables.

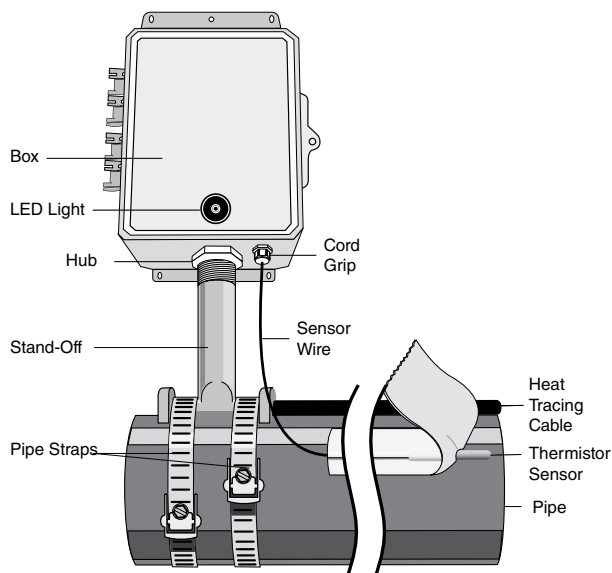
The OLC-PC is supplied complete with prewired A421-ABC-02C thermostat, exterior LED light, stand-off and all of the necessary components to install the device for either line or ambient sensing applications.

OLC-PC FEATURES

- Contains One Prewired A421-ABC-02C Thermostat
- A421-ABC-02C Electrical Rating:
16 Amps At 120 VAC
8 Amps At 240 VAC
9.2 Amps at 208 VAC
- All Field Wiring to Terminals
- A421ABC-02C can be used for Line or Ambient Sensing with an Adjustable Setpoint.
- NEMA 4X Polycarbonate Enclosure
- Polycarbonate is Durable and Contains No Metal Components
- Lockable Enclosure
- 6.5" x 8.5" x 4" Enclosure provides room to make connections
- Hinged Cover is Easy to Open and Close
- 100,000 Hours of LED Light Operating Life
- Vibration Resistant
- Large Viewing Angle
- Suitable for Wet Locations
- 120, 208 or 240 VAC



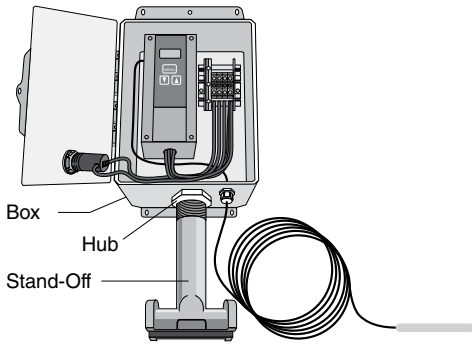
- A. Pipe Straps (2) fit up to 6" NPS (nominal pipe size)
- B. Polycarbonate Junction Box (6.5" x 8.5" x 4")
- C. LED Light
- D. 3/4" Stand-off Pipe
- E. Ring Connector
- F. Ground Screw
- G. Hub
- H. Cord Grip



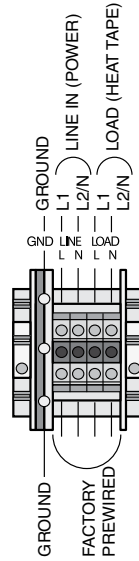
Detail 1. Finished installation of the OLC-PC when installed for line sensing applications.

INSTALLATION

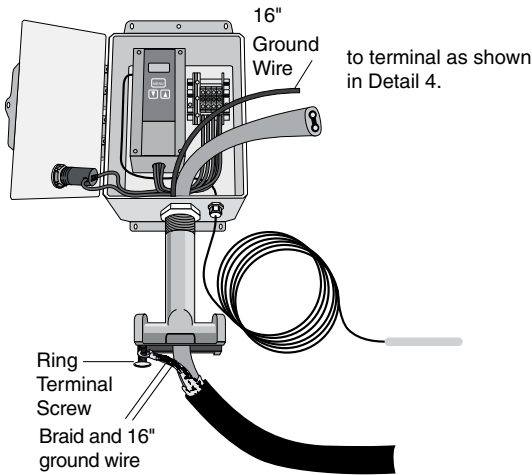
1. Screw the hub onto the stand off and remove hub locknut. Open OLC-PC panel door, place box on hub, and secure with locknut. Refer to Detail 2.
2. Terminate heat trace cable following the instructions included with the power connection kit. Add a 16" ground wire and secure with screw provided. Refer to Detail 3.
3. Connect heat trace cable to the internal terminal block (labeled LOAD L1 & L2/N). Refer to Detail 4.
4. Connect ground wire to ground terminal and close the OLC-PC panel door.
5. For line sensing applications attach the thermistor directly to pipe, under insulation. For ambient sensing applications mount sensor in a suitable location, do not locate in direct sunlight or on surfaces which absorb heat.
6. Connect conduit and electrical power as shown in Detail 4.



Detail 2. Box on stand-off with open OLC-PC door.



Detail 4. Terminals



Detail 3. Insert cable, attach ring terminal, ground wire and braid.

TECHNICAL SUPPORT

Please call 1-800-526-7887 with any questions.