

## OLC-PC

### Electronic Temperature Control & Monitor Light for Ordinary Locations

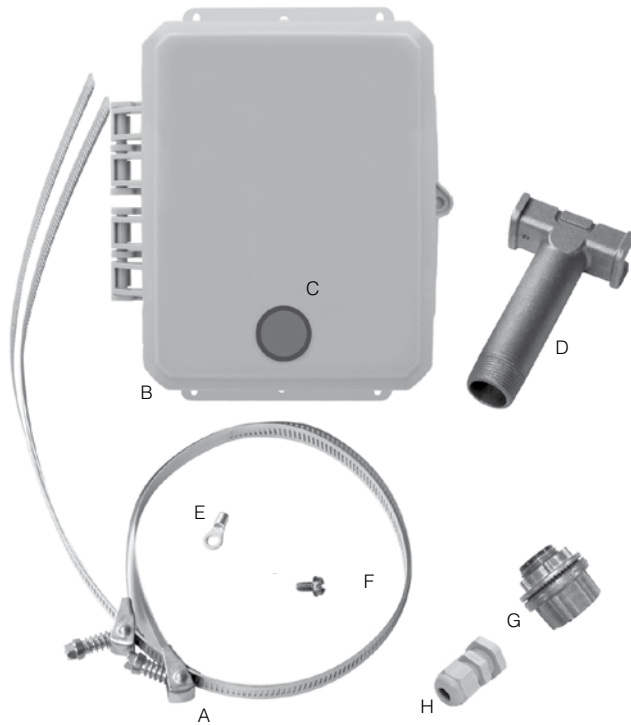
#### DESCRIPTION

The Delta-Therm OLC-PC-120 and OLC-PC-240 are electronic temperature controls with a monitor light. The device provides visual monitoring of when power is being applied to field terminated self-regulating and constant wattage cables.

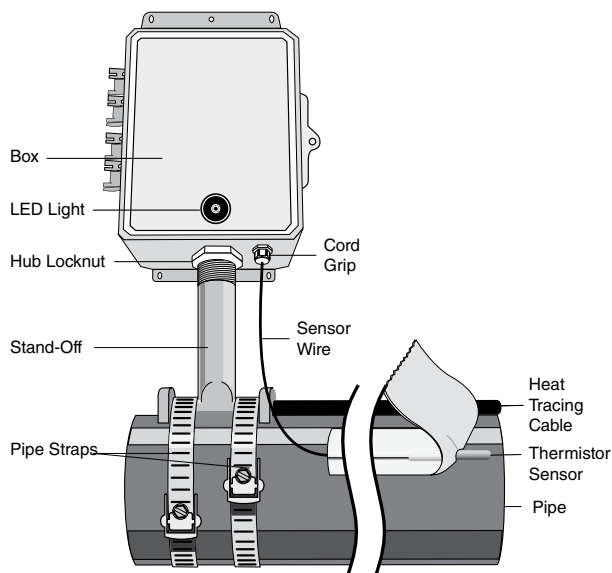
The OLC-PC is supplied complete with prewired A421-ABC-1C thermostat, exterior LED light, stand-off and all of the necessary components to install the device for either line or ambient sensing applications.

#### OLC-PC FEATURES

- Contains One Prewired A421-ABC-1C Thermostat
- A421ABC-1C Electrical Rating:  
16 Amps At 120 VAC  
8 Amps At 240 VAC  
9.2 Amps at 208 VAC
- All Field Wiring to Terminals
- A421ABC-1C can be used for Line or Ambient Sensing with an Adjustable Setpoint.
- NEMA 4X Polycarbonate Enclosure
- Polycarbonate is Durable and Contains No Metal Components
- Lockable Enclosure
- 6.5" x 8.5" x 4" Enclosure provides room to make connections
- Hinged Cover is Easy to Open and Close
- 100,000 Hours of LED Light Operating Life
- Vibration Resistant
- Large Viewing Angle
- Suitable for Wet Locations
- 120, 208 or 240 VAC



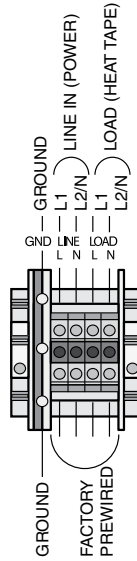
- A. Pipe Straps (2) fit up to 6" NPS (nominal pipe size)
- B. Polycarbonate Junction Box (6.5" x 8.5" x 4")
- C. LED Light
- D. 3/4" Standoff Pipe
- E. Ring Connector
- F. Ground Screw
- G. Hub
- H. Cord Grip



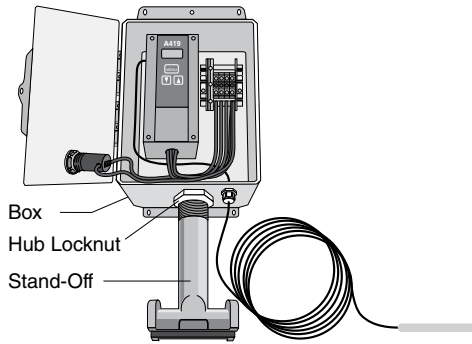
**Detail 1.** Finished installation of the OLC-PC when installed for line sensing applications.

**INSTALLATION**

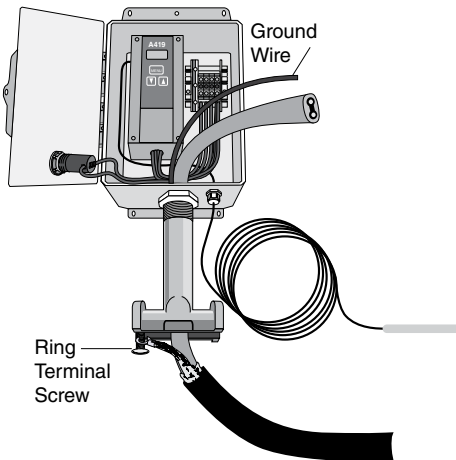
1. Screw the hub onto the stand off and remove hub locknut.  
Open OLC-PC panel door, place box on hub, and secure with locknut. Refer to Detail 2.
2. Terminate heat trace cable following the instructions included with the power connection kit. Add a 16" ground wire and secure with screw provided. Refer to Detail 3.
3. Connect heat trace cable to the internal terminal block (labeled LOAD L1 & L2/N). Refer to Detail 4.
4. Insert ground wire and close the OLC-PC panel door.
5. For line sensing applications attach the thermistor directly to pipe, under insulation. For ambient sensing applications mount sensor in a suitable location, do not locate in direct sunlight or on surfaces which absorb heat.



**Detail 4. Terminals**



**Detail 2. Screw box onto stand off and open OLC-PC door.**



**Detail 3. Insert cable, attach ring terminal, ground wire and braid.**

**TECHNICAL SUPPORT**

Please call 1-800-526-7887 with any questions.