

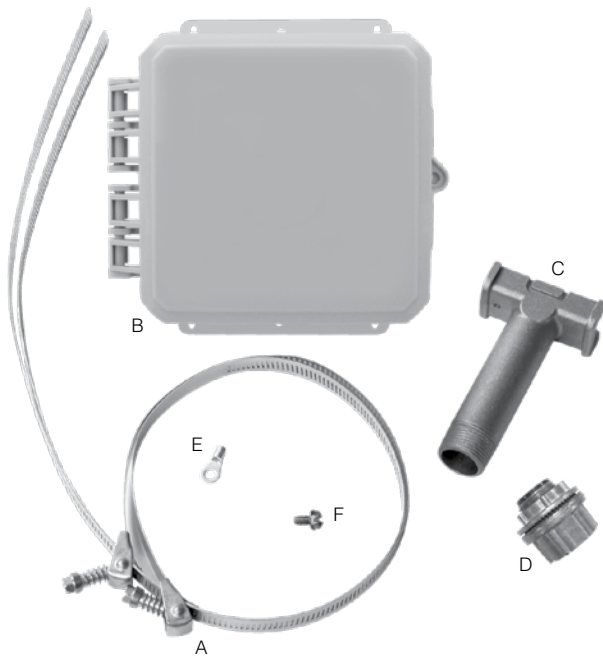
PC1 AND PC2

Polycarbonate Junction Box



Detail 1. PC1 with components.

- A. Polycarbonate Junction Box (6" x 6" x 3")
- B. Hub



Detail 2. PC2 with components.

- A. Pipe Straps (2)
- B. Polycarbonate Junction Box (6" x 6" x 3")
- C. 3/4" Standoff Pipe
- D. Hub
- E. Ring Connector
- F. Ground Screw

DESCRIPTION

The Delta-Therm PC1 and PC2 polycarbonate junction box, is supplied with all necessary components to install the unit onto a pipe quickly and easily.

The Delta-Therm PC1 is to be used with the following kits: PCK-IN, PCK-RG, PCK-C6, PCK-RGP and PCK-PT/PF.

The PC2 is to be used with the these Delta-Therm kits: SPK-IN, ETK-IN, SPK-PF/PT and ETK-PF/PT.

PC1 AND PC2 FEATURES

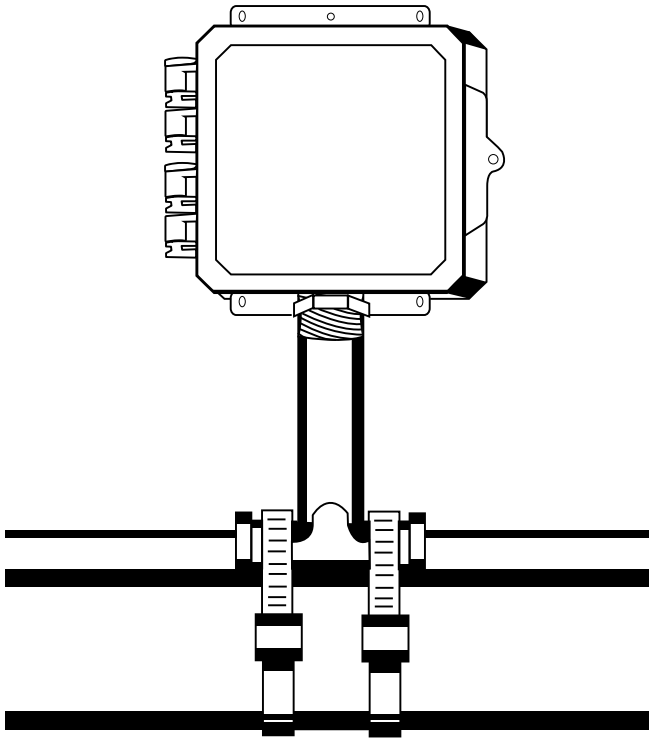
- NEMA 4X Enclosure
- Polycarbonate Is Durable And Contains No Metal Components
- Lockable Enclosure
- 6"x 6"x3" Enclosure Provides Room To Make Connections
- Hinged Cover Is Easy To Open And Close
- Vibration Resistant
- Suitable For Wet Locations
- 120, 208, 240, Or 277 VAC Operation

PC1 COMPONENTS

- Polycarbonate Junction Box (6" x 6" x 3")
- 3/4" Hub

PC2 COMPONENTS

- Polycarbonate Junction Box (6" x 6" x 3")
- Pipe Straps (2)
- 3/4" Standoff Pipe
- 3/4" Hub
- Ring Connector
- Ground Screw



Detail 3. Polycarbonate junction box installed on pipe. (PC1 - Box and hub only. PC2 - includes standoff, pipe straps, hub, ring connector and ground screw).

TECHNICAL SUPPORT

A full set of installation instructions is included with order.
Please call 1-800-526-7887 with any questions.