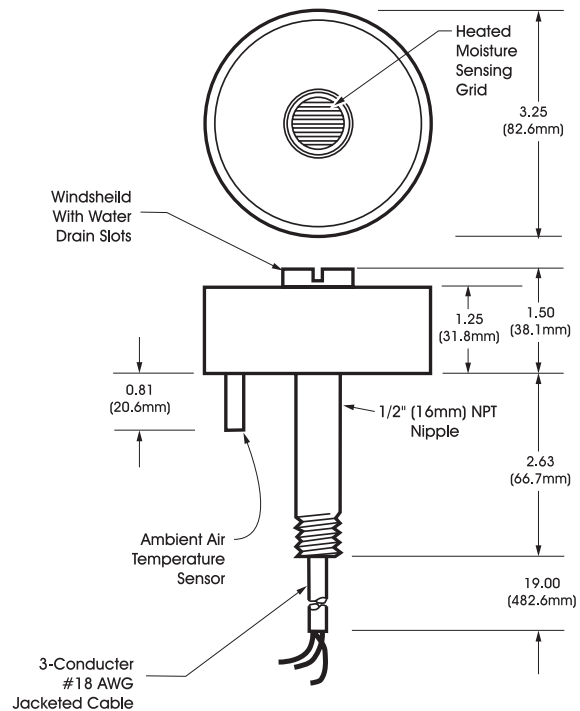




## SNOW SWITCH MODEL CIT-1 GENERAL PURPOSE SNOW SENSOR



### DESCRIPTION

The CIT-1 Snow Sensor detects falling or blowing precipitation as snow at temperatures below 38°F (3.3°C). The CIT-1 provides the industry's most versatile and cost effective automatic snow melting control when used with any APS or EUR series control panel, old or new.

Reliability and sensitivity are key CIT-1 features. The solid state design, combined with a rugged aluminum housing and epoxy potting, ensure many years of trouble free service. Precision precipitation and temperature sensors assure snow detection accuracy.

Typical applications include controlling snow melting systems or sidewalks, doorways, stairs, loading docks, ramps for the physically challenged and parking garages. Easy installation is another key CIT-1 feature. Low voltage operation, up to 2,000'

(609.6m) separation from the control panel, mast or roof mounting, and noncritical extension wiring are just a few of the features making this possible.

For complete information describing its application, installation and features, please contact Customer Service or check on the web at [www.networketi.com](http://www.networketi.com).

### FEATURES & BENEFITS

- Minimum snow melting cost
- No supervision required
- Reliable snow sensing
- Senses both temperature and precipitation
- Application flexibility
- Simple installation
- Field proven in thousands of installations

### ORDERING INFORMATION

ORDER NUMBER	DESCRIPTION
10001	CIT-1 Gutter Ice Sensor

## INSTALLATION

- 1) Mount sensor securely in upright position in clear (open) area typical of area to be melted, either above the roof line or far enough away from the building so as not to be protected from the falling snow. Provide service access.
- 2) Avoid overhead trees, shrubs, wires, eaves, etc. And falling or blowing debris.
- 3) Avoid automobile and foot traffic. Do not create a tripping or safety hazard.
- 4) Avoid exposure to artificial heat sources and excessive shock and vibration.
- 5) Install per applicable electrical and building codes.
- 6) From one to six sensors may be connected to one control panel. CIT-1 sensors may be mixed on a single control panel but control action will be actuated by any one sensor for the whole system and will remain actuated until all sensors are cleared. Consider results desired and sensor performance characteristics before mixing sensors.

## DISCLAIMER

ETI makes no representations or warranties, either expressed or implied, with respect to the contents of this publication or the products that it describes, and specifically disclaims any implied warranties of merchantability or fitness for any particular purpose. ETI reserves the right to revise this publication, and to make changes and improvements to the products described in this publication, without the obligation of ETI to notify any person or organization of such revisions, changes or improvements.

The ETI logo and We Manage Heat are registered trademarks of ETI. Snow Switch & CIT-1 are trademarks of ETI. Copyright © 2019 ETI. All rights reserved.

## LIMITED WARRANTY

ETI's two year limited warranty covering defects in workmanship and materials applies. Contact Customer Service for complete warranty information.

Choose an unobstructed, elevated location exposed to snowfall.

