

## ELAK-EX-3

Junction Box with Mounting Stand for Non-hazardous (ordinary) and Hazardous Locations - OSR Series



### Description

Termination system with pipe mounting stand:

- Commercial and industrial use
- For **OSR-NA** and **OSR-HA** self-regulating heating cables

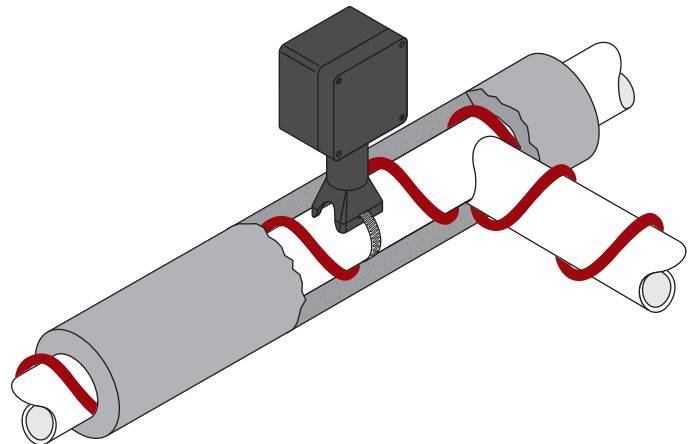
Used for termination of two self-regulating heating cable circuits.  
 Mounting stand with integrated clamping ring.

For pipe and pipeline applications:

- Chemical and petrochemical
- Power generation
- Oil and gas
- Industrial processes
- Plant upgrades and repairs

### Specifications

IP rating:	IP 65 (NEMA 4 equivalent)
Junction Box:	Housing: antistatic polyamide compound Operating/control voltage: 120/208-277VAC ±10 %, 50/60Hz Ambient temperature: -40°C to 50°C (-40°F to +122°F) (T6, T85°C [T185°F]) -40°C to 55°C (-40°F to +131°F) (T5, T100°C [T212°F]) -40°C to 60°C (-40°F to +140°F) (T4, T135°C [T275°F]) Nominal current: maximum 32A Terminals: 20-8 AWG (0.5-10 mm <sup>2</sup> )
Threaded flange:	Operating temperature: -20°C to 100°C (-4°F to +212°F)
Mounting Stand:	Housing: GRP Equipment group: Zone 1 Ex/AEx eb IIC Gb Zone 21 Ex/AEx tb IIIC Db Operating temperature: -20°C to 200°C (-4°F to +392°F) Cable entries: three (3) flat, one (1) round Pipe diameters: >= 3/4 in. (20 mm) Maximum width of clamping ring: 5/8 in. (16 mm)



Product #	Description
ELAK-EX-3	Junction box with mounting stand for non-hazardous (ordinary) and hazardous locations

**ELAK-EX-3 Diagram**

