

**E121-13273**






**B121-13272**



## Description

The E121 series is a explosion-proof line sensing and the B121 series is an ambient sensing temperature control, both are suitable for indoor and outdoor use in classified locations. Made in a lightweight Epoxy coated die cast aluminium NEMA 4X, 7, 9 and IP66 enclosures.

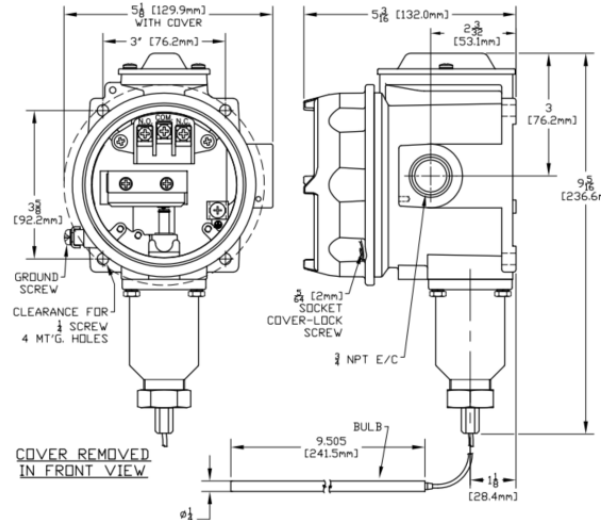
## Approvals

	Region	Agency	Classification
	North America	UL	Class I, Division 1 and 2, Groups B, C & D Class II, Division 1 and 2, Groups E, F & G Class III $-50^{\circ}\text{C} < T_{\text{amb}} < 71^{\circ}\text{C}$  Enclosure: Type 4X, IP66  Canadian registration number (CRN) for Canadian provinces can be found at <a href="http://www.ueonline.com">www.ueonline.com</a>
	Europe	ATEX	II 2 G Ex db IIC T6 Gb II 2 D Ex tb IIIC T85°C Db IP66 $-40^{\circ}\text{C} < T_{\text{amb}} < +75^{\circ}\text{C}$  II 1 G Ex ia IIC T6 Ga (OPTIONAL - code M405) $-50^{\circ}\text{C} < T_{\text{amb}} < +60^{\circ}\text{C}$  Pressure Equipment Directive (PED) (2014/68/EU) Compliant to PED UL 508, UL 61010 Products rated lower than 7.5 psi are outside the scope of the PED Low Voltage Directive (LVD) (2014/35/EU) UEC compliant to LVD EN 61058-1, EN 61010-1 Products rated lower than 50 VAC and 75 VDC are outside of the scope of the LVD The Low Voltage Directive does not apply to products for use in hazardous locations
	International	IECEx	Ex db IIC T6 Gb Ex tb IIIC T85°C Db IP66 $-40^{\circ}\text{C} < T_{\text{amb}} < +75^{\circ}\text{C}$ Ex ia IIC T6 Ga $-50^{\circ}\text{C} \leq T_{\text{amb}} \leq +60^{\circ}\text{C}$

## E121-13273 Specifications

**Enclosure:** NEMA 4X,7,9 and IP 66. Die cast aluminium, epoxy powder coated, gasketed, stainless steel tamper-resistant cover.

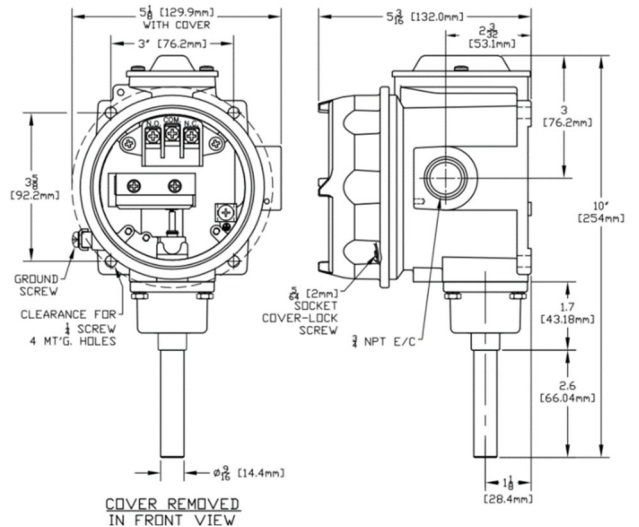
- Connection: ½" NPT (female)
- Switch: Single pole, double Throw (SPDT)
- Adj. Set Point Range: 25° F to 325° F (-4 °C to 163°C)
- Max. Temperature : 360°F (182°C)
- Ambient Range of enclosure : -40°F to 160°F (-40°C to 71°C)
- Rating : 22A up to 480VAC
- Sensor : 10' (3m) SS capillary, .312 / 8in ( 8mm / 20cm) bulb



## B121-13272

**Enclosure:** NEMA 4X,7,9 and IP 66. Die cast aluminium, epoxy powder coated, gasketed, stainless steel tamper-resistant cover.

- Connection: ½" NPT (female)
- Switch: Single pole, double Throw (SPDT)
- Adj. Set Point Range: 15° F to 140° F (-9 °C to 60°C)
- Max. Temperature : 160°F (71°C)
- Ambient Range of enclosure : -40°F to 160°F (-40°C to 71°C)
- Rating : 22A up to 480VAC
- Sensor : Stainless Steel Stem





# DATA SHEET