

ELS-200



BARTEC

High profile end seal kit for PSB/MSB/HSB cable off pipe with weather head for ordinary and hazardous locations


Certifications / Approvals / Marking

System certificate



IECEX DEK 20.0055X
DEKRA 20ATEX0093 X

ELS-200 high profile end seal
for BARTEC PSB, MSB trace heaters


IECEX DEK 20.0055X	
	Ex eb 60079-30-1 IIC T6...T3 ¹ Gb Ex tb 60079-30-1 IIIC T80 °C... T170 °C ¹ Db
DEKRA 20ATEX0093 X	
	II 2G Ex eb 60079-30-1 IIC T6...T3 ¹ Gb II 2D Ex tb 60079-30-1 IIIC T80 °C... T170 °C ¹ Db

Enclosure certificate



IECEX DEK 21.0074X
DEKRA 21ATEX0118 X

ELS-200 high profile end seal
for BARTEC PSB, MSB, HSB+ or HTSB trace heaters

IECEX DEK 21.0074X	
	Ex eb 60079-30-1 IIC T6...110 °C (T4) ¹ Gb Ex tb 60079-30-1 IIIC T _L 80 °C... T _L 110 °C ¹ Db
DEKRA 21ATEX0118 X	
	II 2G Ex eb 60079-30-1 IIC T6...110 °C (T4) ¹ Gb II 2D Ex tb 60079-30-1 IIIC T _L 80 °C... T _L 110 °C ¹ Db

System certificate CSA



CofC No. 1862457

ELS-200 high profile end seal
for BARTEC PSB, MSB, HSB trace heaters

CofC No. 1862457	
	Class I, Div. 2, Groups A, B, C, D Class II, Div. 2, Groups E, F, G Class III

Technical data

Top cover with mounting stand

Ambient temperature range
for IECEx -55 °C to +55 °C
for CSA -40 °C to +55 °C (-40 °F to 131 °F)

Min. Installation Temperature
for IECEx -55 °C
for CSA -40 °C (-40 °F)

Max. workpiece temperature mounting stand 240 °C (464 °F)

Power supply
for IECEx max. 277 Vac
for CSA max. 240 Vac (HSB)
max. 277 Vac (PSB, MSB)

Trace heater output²
for IECEx 10 W/m to 90 W/m
for CSA 10 W/m to 60 W/m (3 W/ft to 20 W/ft)

Ingress Protection
for IECEx IP 66 (EN 60529)
for CSA Type 4X

Connection Technology (CAK)

Maximum withstand temperature / max. service temperature end seal³ +200 °C (392 °F)

Min. installation temperature
for IECEx -60 °C
for CSA -40 °C (-40 °F)

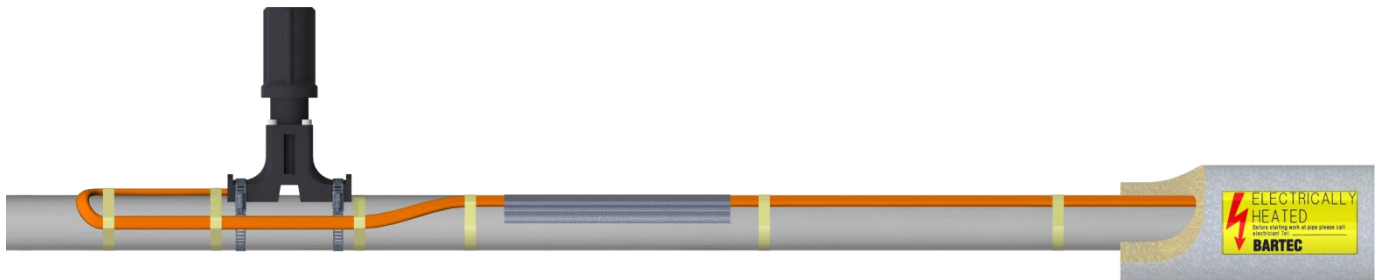
ELS-200

High profile end seal kit for PSB/MSB/HSB cable off pipe with weather head for ordinary and hazardous locations



Kit contents

The following table lists the kit contents for the ELS-200 high profile end seal:



ELS-200 high profile end seal with cold applied connection technology



1 x
Silicone adhesive



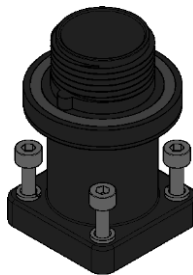
1 x
End seal



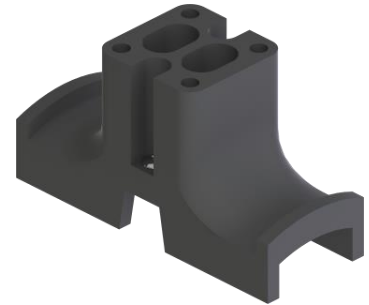
2 x
Trace heater
grommet



1 x
Top cover



1 x
Top unit of the mounting stand
incl. sealing ring



1 x
Base unit of the mounting stand